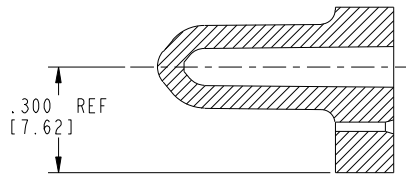
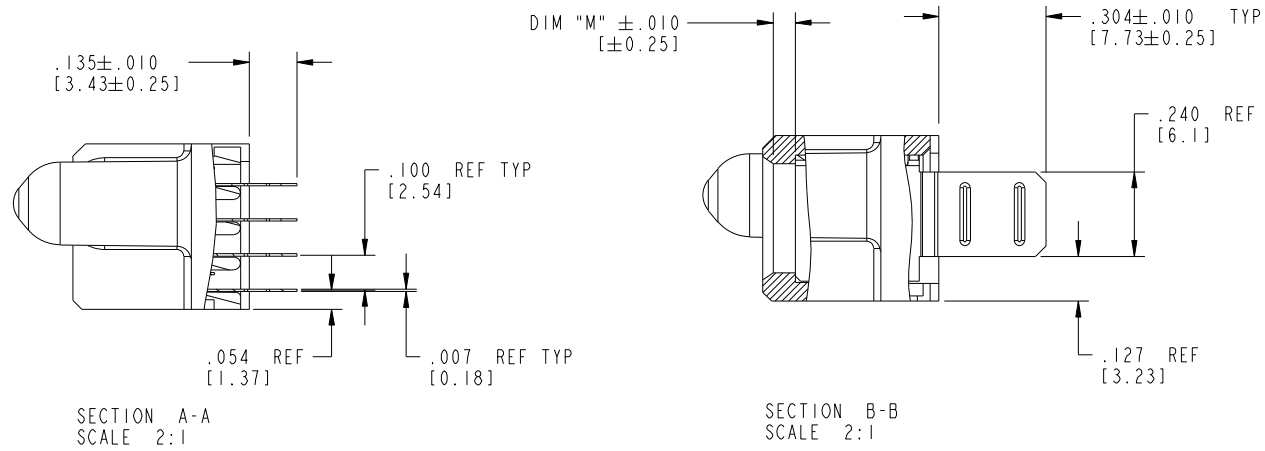


Tous droits strictement réservés. Reproduction ou communication à des tiers interdite sous quelque forme que ce soit sans autorisation écrite du propriétaire. Propriété de c.FCI. Droits de reproduction FCI.



All rights strictly reserved. Reproduction or issue to third parties in any form whatever is not permitted without written authority from the proprietor. Property of FCI. Copyright FCI.

PRODUCT NUMBER
51940-042--
Note: ③



mat'l code				SEE NOTE 2		tolerances unless otherwise specified		CUSTOMER		FCI	
ltr	ecn no.	dr	date	linear	.XX±.01/0.X±0.3		COPY		www.fciconnect.com		
D					.XXX±.005/0.XX±0.13		projection		title 40S + 6ACP VERT P-F RCPT. FOR BUS-BAR ATTACH		
					.XXX±.0020/0.XXX±0.051				product family PwrBlade code 213		
				angles	0°±2°		INCH/MM		size dwg no 213		
				dr	M. MOSTOLLER	4/29/03	scale		A 51940-042 sheet 2 of 4		
				enrg	M. MOSTOLLER	4/29/03	1:1				
				chr	H. BREWBAKER	4/29/03					
				appd	M. MOSTOLLER	4/29/03					
sheet index	revision sheet										

Pro/E

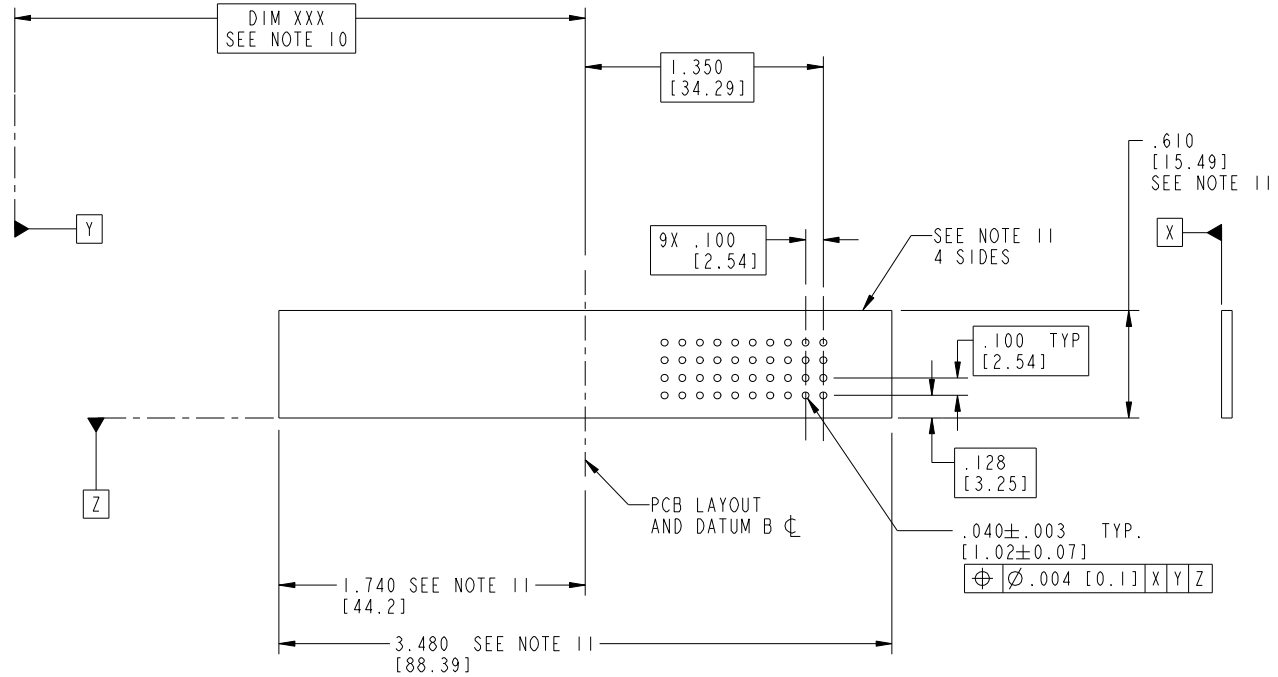
cage code 22526

Tous droits strictement réservés. Reproduction ou communication à des tiers interdite sous quelque forme que ce soit sans autorisation écrite du propriétaire. Propriété de c FCI. Droits de reproduction FCI.



All rights strictly reserved. Reproduction or issue to third parties in any form whatever is not permitted without written authority from the proprietor. Property of FCI. Copyright FCI.

PRODUCT NUMBER
51940-042--
Note: ③



mal't code		SEE NOTE 2		tolerances unless otherwise specified		CUSTOMER		 www.fciconnect.com	
ltr	ecn no.	dr	date	linear	.XX±.01/0.X±0.3	COPY		projection	
D					.XXX±.005/0.XX±0.13			title 40S + 6ACP VERT P-F RCPT. FOR BUS-BAR ATTACH	
				angles	.XXX±.002/0.XXX±0.051	INCH/MM		product family PwrBlade code 213	
				dr	0°±2°	scale		size dwg no 213	
				engr	M. MOSTOLLER 4/29/03	1:1		A 51940-042 sheet 3 of 4	
				chr	H. BREWBAKER 4/29/03				
				appd	M. MOSTOLLER 4/29/03				
sheet index	revision sheet								

cage code 22526

Pro/E

Tous droits strictement reserves. Reproduction ou communication a des tiers interdite sous quelque forme que ce soit sans autorisation écrite du propriétaire. Propriete de c FCI. Droits de reproduction FCI.



All rights strictly reserved. Reproduction or issue to third parties in any form whatever is not permitted without written authority from the proprietor. Property of FCI. Copyright FCI.

PRODUCT NUMBER
51940-042--
Note: ③

NOTES:

1. DIMENSIONS AND TOLERANCES ARE IN ACCORDANCE WITH ASME Y14.5M, 1994 UNLESS OTHERWISE SPECIFIED.

CONNECTOR NOTES:

- ② HOUSING MATERIAL: UL 94 V-0 GLASS FILLED
HIGH-TEMP THERMOPLASTIC
POWER CONTACT MATERIAL: COPPER ALLOY
SIGNAL PIN MATERIAL: COPPER ALLOY
- ③ 51940-042;51940-042LF;51940-042GLF PLATING SPEC. SEE PRINT:10064183
- ④ MANUFACTURER'S NAME, P/N, AND DATE CODE TO APPEAR ON THIS SURFACE.
- 5. PRODUCT SPECIFICATION GS-12-149.
APPLICATION SPECIFICATION BUS-20-067.
- 6. PACKAGED IN TRAYS.

PCB NOTES:

- 7. ALL HOLE DIAMETERS ARE FINISHED HOLE SIZE.
- ⑧ MOUNTING HOLES, WHERE APPLICABLE, ARE UNPLATED.
- ⑨ $\varnothing .0453 \pm .0010$ [1.151 \pm 0.025] DRILLED HOLES PLATED WITH .0003 [0.008] MIN SnPb OR Sn OVER .001 [0.03] TO .003 [0.08] Cu PLATING TO ACHIEVE $\varnothing .040 \pm .003$ [1.02 \pm .07] HOLE.
- ⑩ "DIM XXX" TO BE DETERMINED BY THE CUSTOMER.
- ⑪ CONNECTOR KEEP-OUT ZONE.
- 12. POWER CONTACTS ARE DESIGNED TO MATE WITH A .0625" [1.59MM] THICK BUS-BAR. ONCE MATED CONTACT CLIP MUST BE INSTALLED.

mat'l code		SEE NOTE 2		tolerances unless otherwise specified		CUSTOMER		 www.fciconnect.com	
ltr	ecn no.	dr	date	linear	.XX±.01/0.X±0.3	COPY		projection	
D					.XXX±.005/0.XX±0.13	 INCH/MM		title 40S + 6ACP VERT P-F	
				angles	.XXX±.0020/0.XXX±0.051			RCPT. FOR BUS-BAR ATTACH	
				dr	0°±2°	product family		PwrBlade	code
				enrg	M. MOSTOLLER 4/29/03	size		dwg no	213
				chr	M. MOSTOLLER 4/29/03	scale		51940-042	sheet
				appd	H. BREWBAKER 4/29/03	1:1		A	4 of 4
sheet index	revision sheet								

cage code 22526