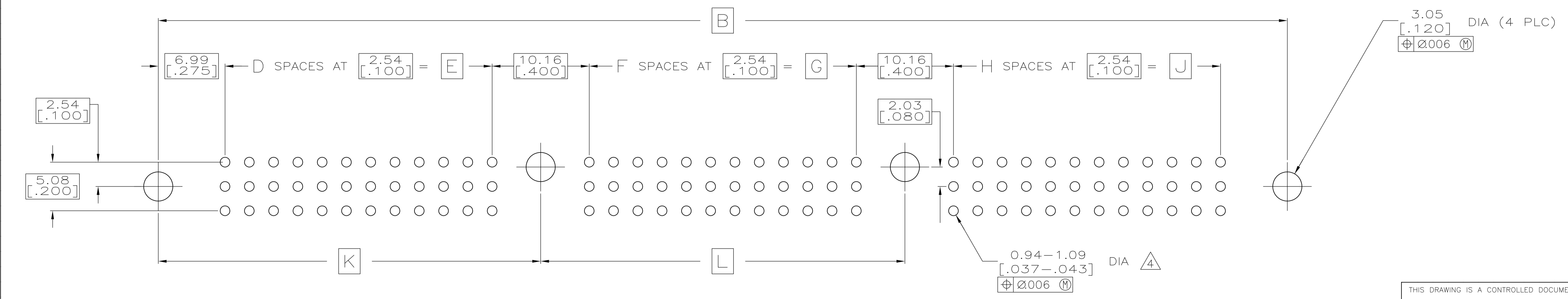
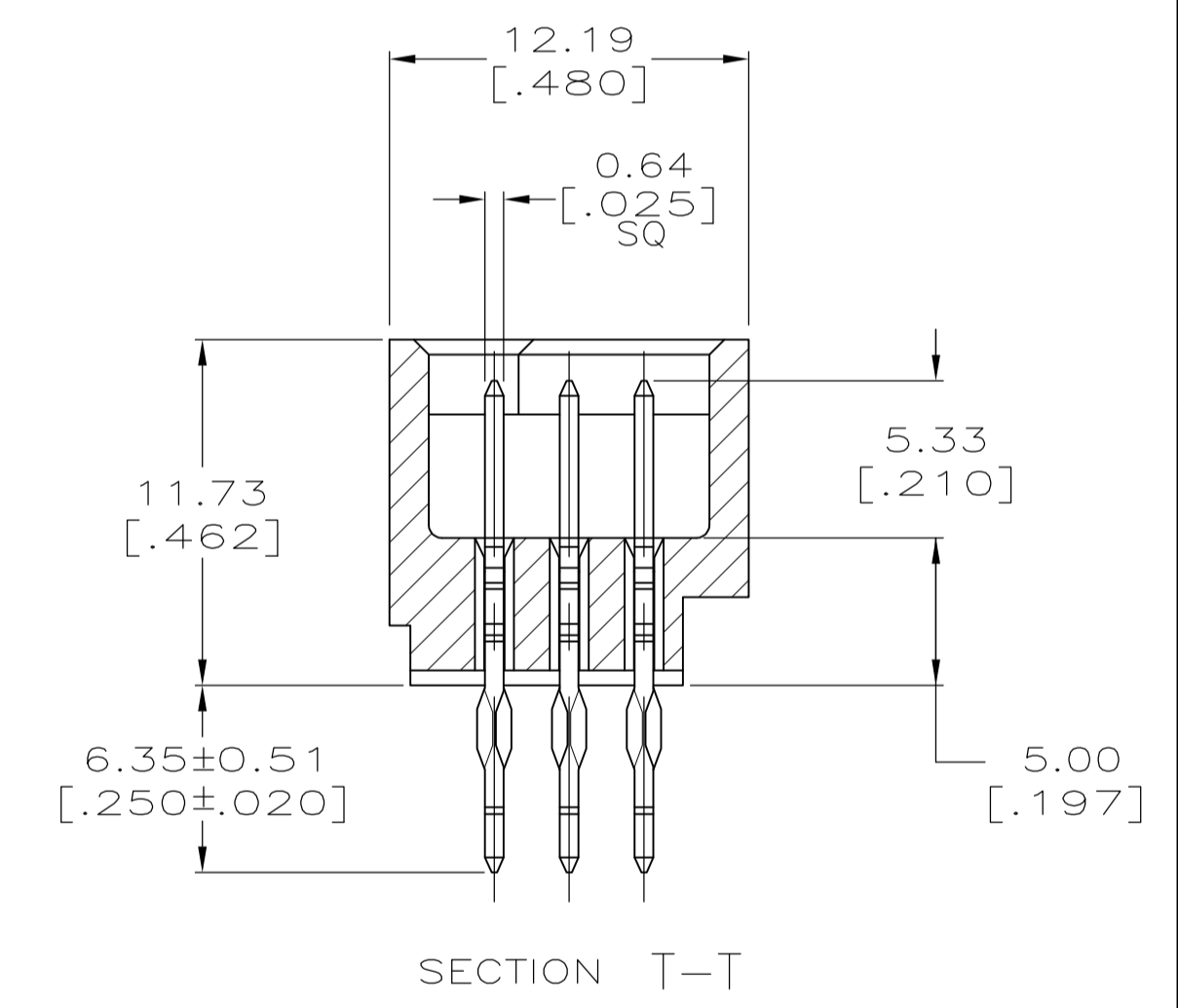
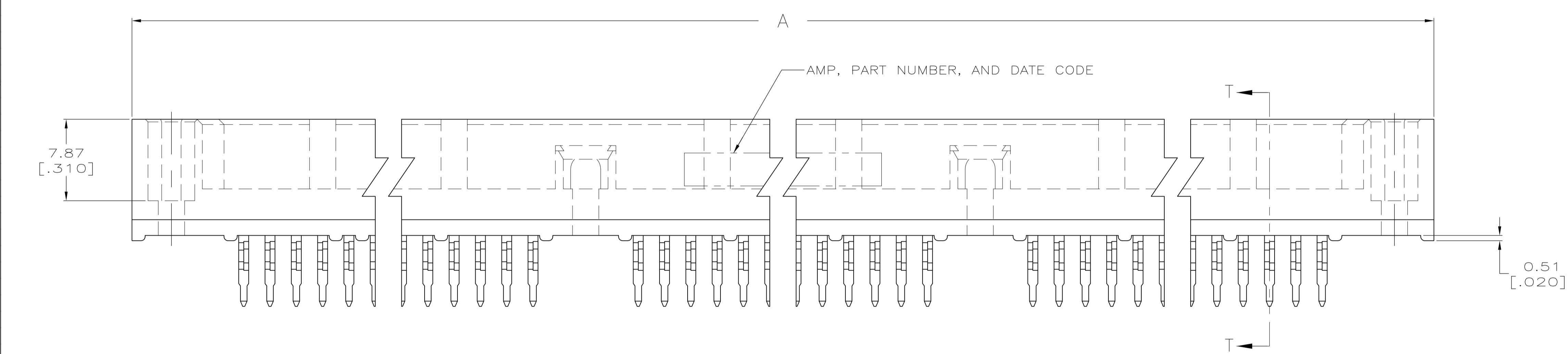
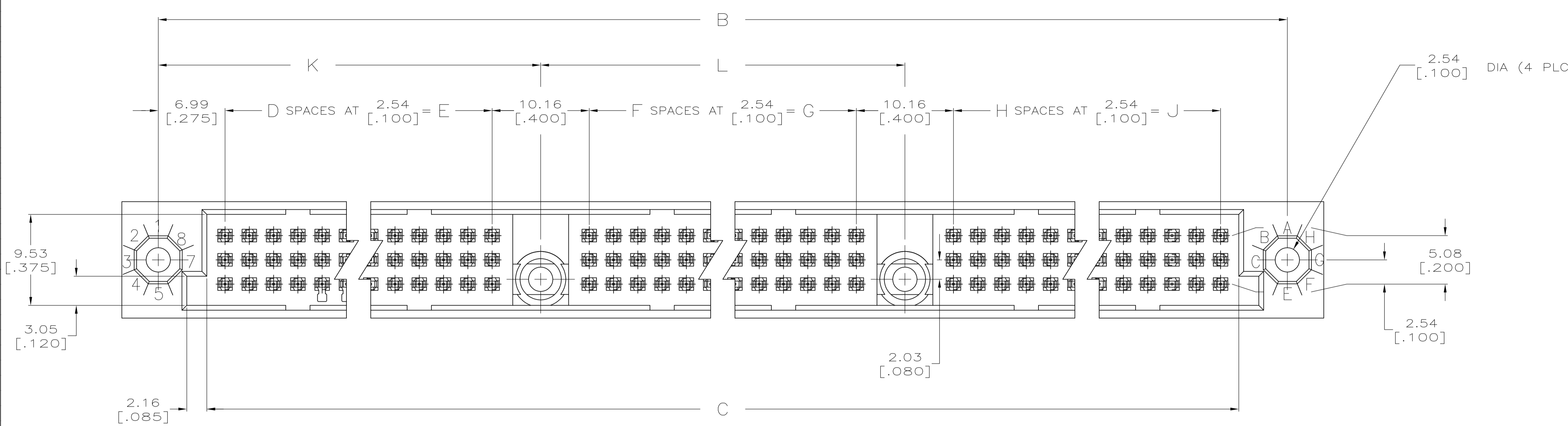


LOC		DIST		REVISONS			
P	LTR	DESCRIPTION	DATE	DN	APVD		
F	PER EC 0196-96		T.S. 3-20-96	-	GS		
G	PER EC 0010-0811-96		T.S. 12-19-96	-	JR		
G1	REVISED PER ECO-09-024927		06NOV09	KK	AEG		



RECOMMENDED P.C. BOARD LAYOUT

THIS DRAWING IS A CONTROLLED DOCUMENT.		DIN R.K. SEIFRIED 04/17/90	Tyco Electronics Corporation Harrisburg, PA 17105-3608	
DIMENSIONS: mm [INCHES]		CHK F. KIBLER 8-17-92	NAME HDI, 3 ROW, PIN ASSEMBLY, TWO CENTER GUIDE PINS, 6.35[.250] LONG ACTION PINS, 0.00076[.000030] GOLD PLATE	
TOLERANCES UNLESS OTHERWISE SPECIFIED:		APVD	PRODUCT SPEC	
0 PLC ± -		APPLICATION SPEC		
1 PLC ± -		SIZE		
2 PLC ± -		CAGE CODE		
3 PLC ± 0.13 [.005]		DRAWING NO		
4 PLC ± -		WEIGHT		
ANGLES ± -		A1 00779 C=533094		
MATERIAL		CUSTOMER DRAWING		
FINISH		SCALE 4:1 SHEET 1 OF 2 REV G1		

LOC	DIST	REVISIONS			
AD	25	REV	DESCRIPTION	DATE	DWN
			SEE SHEET 1		

- ① HOUSING MATERIAL: THERMOPLASTIC, COLOR-NATURAL.
- ② CONTACT MATERIAL: PHOSPHOR BRONZE.
- ③ CONTACT FINISH: .00127-.00254 [.000050-.000100] NICKEL UNDERPLATE ALL OVER; .00076 [.000030] GOLD PLATE IN CONTACT AREA, TIN-LEAD PLATED POSTS.
- ④ ACTION PIN POSTS REQUIRE 2.36 [.093] MIN THICK P.C. BOARD. RECOMMENDED P.C. BOARD HOLES ARE 1.151 [.0453] DIA PLATED THRU WITH 0.025-0.076 [.001-.003] COPPER; WITH 0.0076 [.0003] MIN TIN-LEAD PLATING; FINISHED HOLE AFTER PLATING 0.94-1.09 [.037-.043] DIA.
- ⑤ PART NUMBER IS OBSOLETE.
- ⑥ OBSOLETE PARTS: OBSOLETE CIS STREAMLINING PER D.RENAUD/D.SINISI

⑤															533094-9
⑤															533094-8
⑤															533094-7
⑤															533094-6
⑤															533094-5
⑤															533094-4
⑤	127.00 [5.000]	128.90 [5.075]	116.84 [4.600]	46	116.84 [4.600]	46	116.84 [4.600]	46	374.65 [14.750]	384.81 [15.150]	392.43 [15.450]	423	533094-3		
⑤	121.92 [4.800]	123.82 [4.875]	111.76 [4.400]	44	111.76 [4.400]	44	111.76 [4.400]	44	359.41 [14.150]	369.57 [14.550]	377.19 [14.850]	405	533094-2		
⑥ OBSOLETE	116.84 [4.600]	118.74 [4.675]	106.68 [4.200]	42	106.68 [4.200]	42	106.68 [4.200]	42	344.17 [13.550]	354.33 [13.950]	361.95 [14.250]	387	533094-1		
	L	K	J	H	G	F	E	D	C	B	A	POSN	PART NUMBER		

THIS DRAWING IS A CONTROLLED DOCUMENT.

DIMENSIONS:	TOLERANCES UNLESS OTHERWISE SPECIFIED:	DIN	R. K. SEIFRIED	04/17/90	Tyco Electronics Tyco Electronics Corporation Harrisburg, PA 17105-3608
		CHK	F. KIBLER	8-17-92	
		APVD			NAME
 0. PLC ± - 1. PLC ± - 2. PLC ± - 3. PLC ± 0.13 [.005] 4. PLC ± - ANGLES ± -		PRODUCT SPEC APPLICATION SPEC		SIZE CAGE CODE DRAWING NO A1 00779 C=533094	
MATERIAL		FINISH		WEIGHT	RESTRICTED TO
					CUSTOMER DRAWING

SCALE: 4:1 SHEET 2 OF 2 REV G1