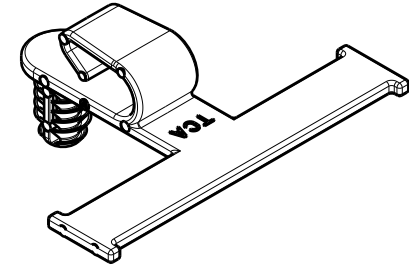


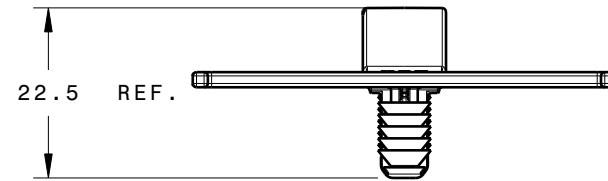
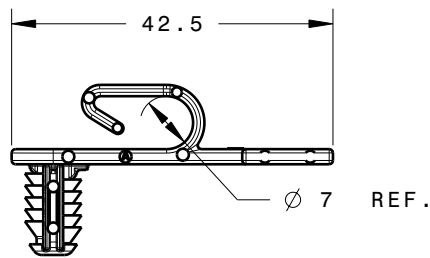
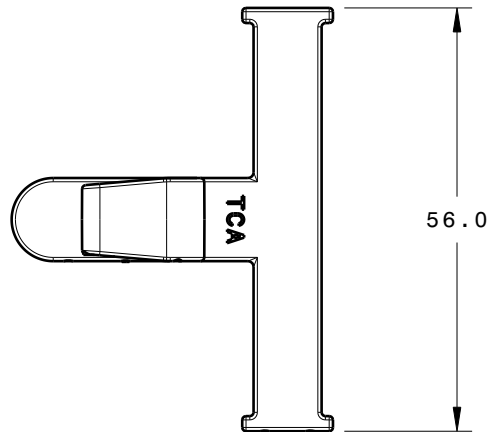
REFERENCE:

PERFORMANCE REQUIREMENTS AT DRY AS MOLDED:

1. FIR TREE PUSH IN FORCE: REF. 10 LBS MAX IN A 6.6mm HOLE AND A PLATE THICKNESS OF 1.8mm
2. FIR TREE PULL OUT FORCE: REF. 30 LBS MIN IN A 6.6mm HOLE AND A PLATE THICKNESS OF 1.8mm
3. SHEET METAL THICKNESS RANGE: 0.70mm - 5.50mm
4. CIRCULAR HOLE SIZE DIAMETER: 6.6 +/- 0.30



Isometric View



INVENTORS

HellermannTyton[®]

ALL PROPRIETARY RIGHTS IN THE SUBJECT MATTER SHOWN ON THIS DRAWING ARE EXCLUSIVE PROPERTY OF HELLERMANNTYTON

name	date	city, state
S. ADAMS	7/17/07	MENOMONEE FALLS, WI.

REVISIONS

level	by	date	ECN #	part level
02	SJA	1/9/08	010955	A

DIMENSIONS

TOLERANCES	units
.XXXX = ± 0.25	millimeters
.XXX = ± 0.50	
.XX = ± 1.00	
.X = ± 2.00	
∠ = ± 0.50	
unless otherwise specified	

PART

number	SOCHFT6	phase	PRODUCTION
name	TAPE CLIP WITH OFFSET (31mm) FIR TREE (6.6mm)		
material	NYLON 6/6, IMPACT MODIFIED, HEAT STABILIZED, UV RESISTANT COLOR: BLACK		

DRAWING

FORMAT	AH	CAD	CATIA V5	SCALE
VERSION	J			1:1
A- SIZE (landscape)_N01	previous drawing number			
drawn	S. ADAMS	checked	J. PASSILLA	approved
	7/30/07		7/30/07	
type	CUSTOMER		sheet 1 of 1	
number	MT07-028-003CST			