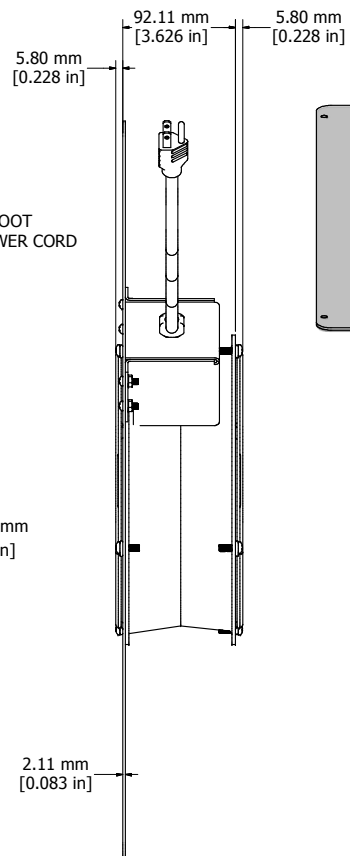
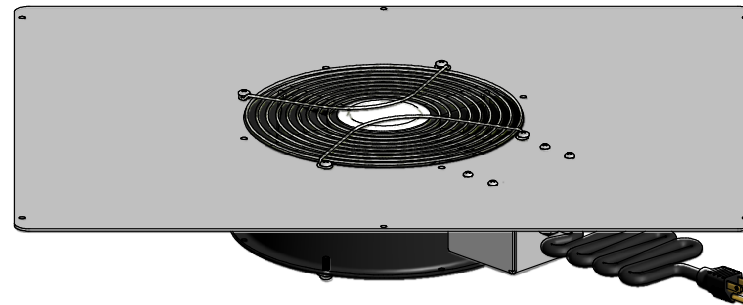


ASSEMBLY - VIEW FROM TOP



ASSEMBLY - VIEW FROM SIDE



ISOMETRIC VIEW

<b>C2T1931F10</b>
Finish - Top - Painted Steel
- Finger Guard - Chrome Plated
Rated - 115 VAC, 50/60 Hz, 0.29 Amps
Free Flow Air Delivery - 550 CFM
Approvals - cURus Recognized UL507 and CSA C22.2 No.113
<b>COLOURS</b>
Black - C2T1931F10BK1
Beige - C2T1931F10CG1
Light Grey - C2T1931F10LG1
<b>HARDWARE</b>
6 Screws - RoundHead 8-32 x 1/2"
6 Speed Nuts



**HAMMOND  
MANUFACTURING™**

**C2T1931F10**

www.hammondmfg.com