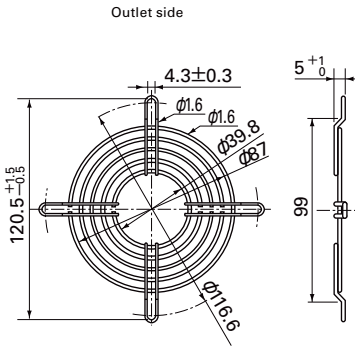


Dimensions (unit : mm)

92mm sq. type

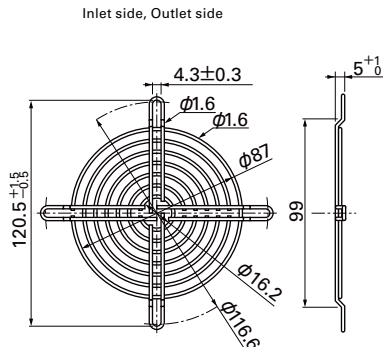
Model : 109-099C Surface treatment : Nickel-chrome plating (silver) Color (silver)



Mass : 22g

92mm sq., φ100mm type

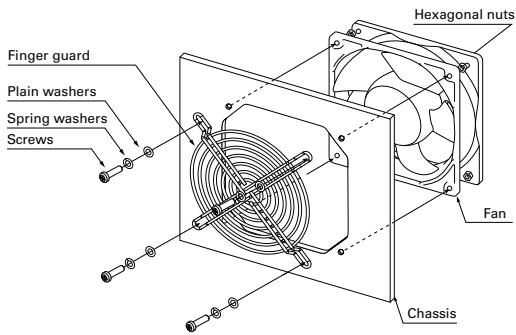
Model : 109-099E Surface treatment : Nickel-chrome plating (silver) Color (silver)  
: 109-099H Surface treatment : Cation electropainting (black) Color (black)



Mass : 29g

Mounting example

Axial fan



Centrifugal fan

