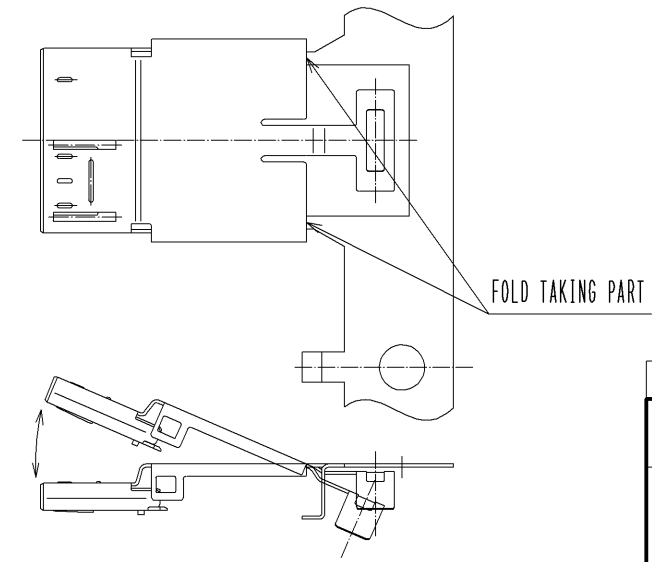
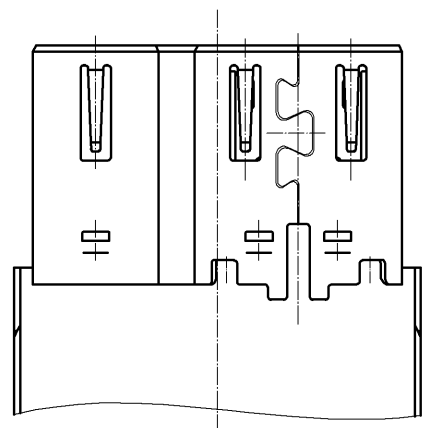


Fig-2 COMPONENT BREAK OFF FIGURE (FREE)



- NOTE
- 1 THIS IS DELIVERED BY A REEL. QTY : 2700 PCS. \triangle \triangle
 - 2 INDICATE 'Part No.', 'CL No.', 'Lot No.', AND QUANTITY ON BOTH REEL AND THE SIDE SURFACE OF THE SHIPPING OUTER BOX.
 - 3 REMOVE THE COMPONENT FROM THE CARRIER FOR USE AS SHOWN IN Fig.2.

NO.	MATERIAL	FINISH . REMARKS	NO.	MATERIAL	FINISH . REMARKS
1	STAINLESS STEEL	NICKEL PLATING 0.1 μ m min			
UNITS mm	\odot \triangle	SCALE 4 : 1	COUNT \triangle 1	DESCRIPTION OF REVISIONS DIS-E-003420	DESIGNED TF. HIGASHIYAMA
					CHECKED AO. SUZUKI
					DATE 10.09.08
HRS	HIROSE ELECTRIC CO., LTD.	APPROVED : AO. SUZUKI 10.08.07		DRAWING NO. EDC3-127030-00	
		CHECKED : KN. ICHIKAWA 10.08.07		PART NO. ZX360-B-SLDA	
		DESIGNED : TY. MIURA 10.08.06		CODE NO. CL242-0502-7-00	
		DRAWN : TY. MIURA 10.08.06			\triangle 1/1