



ACCESSORIES & TOOLS

Splicing Accessories

HV-BRAID Ground Braid	262
HVS-MESH Shielding Mesh	262
JGK-MS Jacketed Cable Ground Kits (5-35 kV)	262
Cable Preparation Kit	263
HVS-GC Grounding Clamps	263
HVS-LR Lead Sheath Repair Kits	264

Termination Accessories

BRKT-SS Cable Mounting Brackets	265
EAKT-1520 Mounting Kits	265
MOD-S Skirts	266

Conduit/Cable Sealing

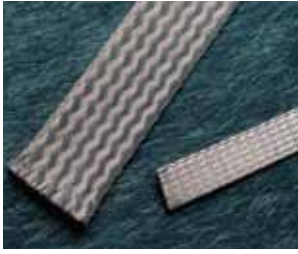
RDSS Sealing System	267
Blank Duct Plug	268

Torches & Heat Guns

Torches	269
Torch Accessories	270
Torch Kits	270
Heat Guns	271

Tools

Splicing Tools	272
Impact Wrench	272
Wire Cutters	272
Cable Cutters	273
Cable Vise	273
Stripping Tools	274
Tool Sets	274



C_HV_Braid

HV-BRAID Ground Braid

Raychem HV-Braid is tinned copper braid, solder-blocked for use with HVS and HVT kits.

Selection Information: dimensions in inches (millimeters)

Catalog Number	Braid Size (AWG)	Length of Moisture-Blocked Braid	Std. Pack (pcs/box)
HV-BRAID-8-1520	#8	60 (1524)	3
HV-BRAID-6-1520	#6	60 (1524)	3
HV-BRAID-4-1520	#4	60 (1524)	3

Ordering Information

Order shielding mesh based on braid size.



C_HVS_Mesh

HVS-MESH Shielding Mesh

Raychem HVS-MESH is used in conjunction with high-voltage ground braids to provide shield continuity when splicing shielded power cables.

Selection Information: dimensions inches/feet (millimeters/meters)

Catalog Number	Width	Length	Std. Pack (Rolls/Box)
HVS-MESH-2-5000	2 (51)	16 (4.8)	4

Ordering Information

1. Order shielding mesh based on cable diameter and length of cable to be covered.
2. To apply shielding mesh, half-lap around cable.



C_JGK_MS

JGK-MS

The Raychem JGK-MS kit addresses the RUS recommendation to externally ground the jacketed cable neutrals at least four times per mile to limit shield standing voltage, to avoid accidental shock, and to provide multiple parallel return paths for line-to-ground faults.

- Heat-shrinkable JGK-MS kits provide complete environmental sealing with a wraparound, adhesive-lined re-jacketing sleeve.
- Each kit contains a constant-force ground clamp, a solder-blocked ground braid for external grounding, and a sealant to encapsulate and seal the ground connector.
- Kits are RUS accepted and have been tested to meet the 10 kA/10 cycles or 15 kA/15 cycle fault current test requirements.
- Wraparound re-jacketing sleeve has been water-seal tested to the applicable sections of ANSI C 119.1.

Selection Information: dimensions in inches (millimeters)

Catalog Number	Nominal Use Range (AWG/kcmil)			Fault Current
	15 kV	25 kV	35 kV	
JGK-MS-1	#4-4/0	#1-1/0		10 kA, 10 cycles
JGK-MS-2	250-1000	1/0-750	1/0-500	15 kA, 15 cycles
JGK-MS-3	1000-2000	750-1750	500-1500	15 kA, 15 cycles

Ordering Information

1. Standard package: 3 kits/box
2. Related test report: EDR-5242



C_P63

Cable Preparation Kit

P63

- Raychem P63 cable preparation kits can be used with all TE Connectivity cable accessories
- Use P63 kits to clean and abrade cable insulation

Selection Information

Catalog Number	Std. Pack (kits/box)
P63	12

Ordering Information

1. One kit contains six solvent wipes, six dry wipes and three strips of abrasive paper.
2. For splices, the number of prep kits vary depending upon size of cable and type of splice. For terminations, one prep kit will clean three phases (one 3/C termination or three 1/C terminations).
3. Solvent wipes contain PT Technologies type PF cleaner.



C_HVS_SG

HVS-GC Grounding Clamps

Raychem HVS-GC are used for securing ground brades when splicing or terminating power cables.

Selection Information: dimensions in inches (millimeters)

Catalog Number	Use Range	Std. Pack (Pcs./Box)
HVS-GC-0.5	0.5-1.0 (13-25)	100
HVS-GC-1.0	1.0-2.0 (25-51)	100
HVS-GC-1.5	1.5-3.0 (38-76)	50
EPPA-034-A	0.5-0.8 (12-20)	
EPPA-034-E	0.7-1.1 (17-29)	
EPPA-034-F	1.2-1.5 (30-39)	
EPPA-034-G	1.6-2.4 (40-60)	
EPPA-034-H	2.0-3.0 (50-75)	
EPPA-034-L	2.3-3.3 (57-85)	

Ordering Information

1. Order ground clamps based on cable diameter.
2. Confirm size with use range.



C_HVS_LR

HVS-LR

The Raychem HVS-LR series kit offers a simple method of repairing lead sheath damage on paper-insulated, lead-covered (PILC) cables.

- Combines the strength and durability of TE Connectivity's Raychem MBSM wraparound sleeve with an effective oil-resistant sealing mastic.
- Tested to and meet the following load-cycling and pressure test requirements indicated in the chart below

Product Performance

Test	Result
Current cycling at 110°C conductor temperature for 90 cycles (5 hours on, 3 hours off)	Pass
Applied pressure	15 psi
Maximum continuous conductor temperature	110°C

Selection Information: dimensions in inches (millimeters)

Catalog Number	Nominal Sleeve Length	Application use Range (Min.-Max.)
HVS-LR-75/15-600	24 (600)	0.65-2.65 (17-67)
HVS-LR-75/15-1200	48 (1200)	0.65-2.65 (17-67)
HVS-LR-160/42-600	24 (600)	1.80-5.70 (46-144)
HVS-LR-160/42-1200	48 (1200)	1.80-5.70 (46-144)
HVS-LR-200/50-600	24 (600)	2.15-7.10 (55-180)
HVS-LR-200/50-1200	48 (1200)	2.15-7.10 (55-180)

Ordering Information

1. Be sure to look at both the cable jacket diameter and the lead sheath diameter when selecting the HVS-LR kit.
2. Standard package: 3 kits/box
3. Related test report: EDR-5243



C_BRKT_SS

BRKT-SS Cable Mounting Brackets

Raychem BRKT-SS cable mounting brackets are versatile and may be used outdoors. The brackets are constructed of stainless steel and include all hardware.

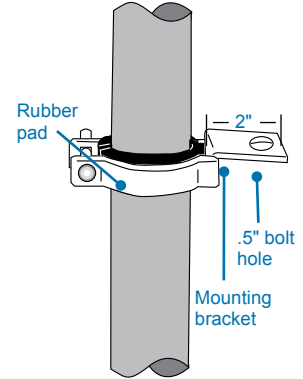
- Suitable for use on all types of cables
- For use with terminations or other applications where cable mounts are needed
- Includes a mounting bracket and rubber pad

Selection Information: dimensions in inches (millimeters)

Catalog Number	Cable Range O.D. Range
BRKT-1-SS	0.80-1.25 (20-32)
BRKT-2-SS	1.10-1.50 (28-38)
BRKT-3-SS	1.45-1.95 (37-50)
BRKT-4-SS	1.80-2.40 (46-61)

Ordering Information

1. Standard package: 1 bracket/box
2. Order brackets based on cable diameter, confirm size with use range.
3. Related test report: NCTR-99-065



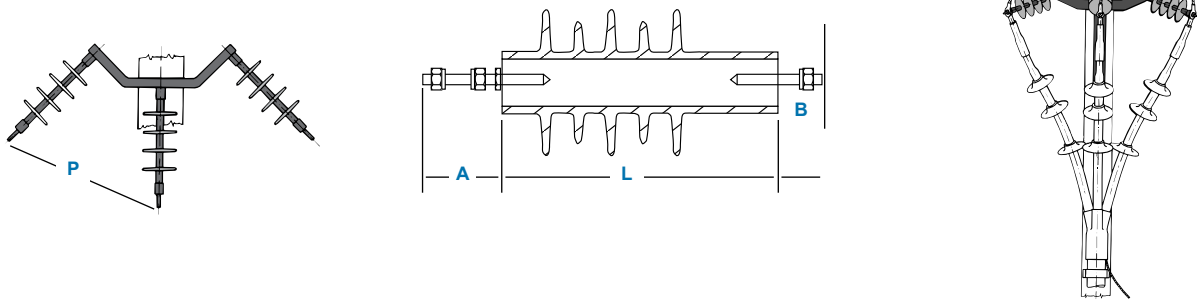
C_EAKT-1520

EAKT-1520 Mounting Kits

TE Connectivity Raychem offers a mounting bracket and support insulators for poletop mounting of TE high voltage terminations. The EAKT-1520 series mounting kits provide a galvanized steel bracket, three insulators for mounting outdoor terminations, and installation instructions.

The bracket is dip galvanized to meet outdoor requirements (BS 729). The insulators are lightweight and shatterproof. They combine a strong and flexible polymeric core with TE's proven high-voltage, nontracking material.

- Used with TE's Raychem high-voltage outdoor termination kits (15–35 kV).
- Includes a galvanized steel T-bracket, three insulators for poletop mounting, and installation instructions.



Selection Information: dimensions in inches (millimeters)

Catalog Number	Voltage Class (kV)	Insulator Dimensions				No. of Skirts	Min. Creepage Length	Mechanical Capabilities Cantilever	Torque M12 (ft. lb)
		P	L	A	B				
EAKT 1521	15	12.5 (310)	7.6 (195)	2.6 (65)	1.4 (35)	5	15.4 (390)	184	37
EAKT 1523	25	17.0 (430)	12.0 (305)	2.6 (65)	1.4 (35)	9	26.0 (660)	184	37
EAKT 1524	35	22.0 (560)	15.0 (380)	2.6 (65)	1.4 (35)	11	43.3 (1100)	516	37

Ordering Information

1. Standard package: 1 kit/box.
2. Related test reports: UVR-8150, UVR-8166



C_MOD_S_Skirts

MOD-S Skirts

MOD-S Skirts are used with TE's Raychem high voltage termination kits for outdoor applications.

Selection Information: dimensions in inches (millimeters)

Catalog Number	Cable Insulation Diameter (Min.–Max.)	Std. Pack (Skirts/Box)
MOD-S1-314-Skirts	0.35-0.55 (9-14)	6
MOD-S2-325-Skirts	0.60-1.25 (15-32)	6
MOD-S3-336-Skirts	0.85-1.75 (22-44)	6
MOD-S4-346-Skirts	1.15-2.45 (29-62)	6
MOD-S5-357-Skirts	2.00-3.30 (50-84)	6

Ordering Information

1. TE outdoor termination kits (-S) include appropriate number of skirts for the particular voltage.
2. See the table below for the number of skirts needed at each voltage.

Voltage	HVT Number of Skirts	HVT-Z Number of Skirts
5-8 kV	1	0
15 kV	2	1
25 kV	3	4
35 kV	4	4



C_RDSS

RDSS Sealing System Duct Sealing System

TE'S Raychem RDSS duct sealing system has been designed for use in conjunction with plastic, concrete, or steel ducts to provide a watertight duct seal. The RDSS duct sealing system seals cable ducts and helps to prevent flooding in cable vaults, access manholes, substation basements, and customer feeds. It can be installed while the water is flowing—see photograph.

Provides Watertight Seal

The RDSS sealing system consists of an inflatable, sealed bladder of flexible, metallic laminate material, which has pre-installed, high-temperature sealant strips on both sides. The bladder is first inflated to 45 psi (three-bar) internal pressure, and then presses the sealant against the duct wall and onto the substrate. The bag uses a self-sealing gel material to seal the filling hole when the filling tube is removed.

Seals Multiple Cable Ducts

For applications with three or more cables, an RDSS-CLIP is inserted between the cables. The RDSS-CLIP is a high-temperature mastic mounted on an installation stick. It seals the area between the cables when used in conjunction with the RDSS inflatable bladder. Acceptable to use on medium voltage cables including unjacketed concentric neutral.

Selection Information: dimensions in inches (millimeters)

Duct Inner Diameter	Number of Cables in Duct / Maximum Cable Bundle Diameter					
	0, 1, or 2 Cables		3 or 4 Cables		5, 6, or 7 Cables	
1.25 (32)	RDSS-45	0.5 (13)	RDSS-45, 1 RDSS-CLIP-45	0.3 (8)	RDSS-45, 2 RDSS-CLIP-45	0.1 (3)
1.50 (38)	RDSS-45	1.0 (25)	RDSS-45, 1 RDSS-CLIP-45	0.8 (20)	RDSS-45, 2 RDSS-CLIP-45	0.6 (15)
1.75 (45)	RDSS-45	1.3 (32)	RDSS-45, 1 RDSS-CLIP-45	1.05 (27)	RDSS-45, 2 RDSS-CLIP-45	0.9 (22)
2.00 (50)	RDSS-60	1.2 (30)	RDSS-60, 1 RDSS-CLIP-75	1.0 (25)	RDSS-60, 2 RDSS-CLIP-75	0.8 (20)
2.25 (57)	RDSS-60	1.6 (41)	RDSS-75, 1 RDSS-CLIP-75	1.4 (36)	RDSS-75, 2 RDSS-CLIP-75	1.2 (31)
2.50 (64)	RDSS-75	1.5 (38)	RDSS-75, 1 RDSS-CLIP-75	1.3 (33)	RDSS-75, 2 RDSS-CLIP-75	1.1 (28)
2.75 (70)	RDSS-75	1.8 (46)	RDSS-75, 1 RDSS-CLIP-75	1.6 (41)	RDSS-75, 2 RDSS-CLIP-75	1.4 (36)
3.00 (75)	RDSS-75	2.2 (56)	RDSS-75, 1 RDSS-CLIP-75	2.0 (50)	RDSS-75, 2 RDSS-CLIP-75	1.8 (46)
3.25 (83)	RDSS-100	2.2 (56)	RDSS-100, 1 RDSS-CLIP-100	2.0 (50)	RDSS-100, 2 RDSS-CLIP-100	1.8 (46)
3.50 (89)	RDSS-100	2.6 (66)	RDSS-100, 1 RDSS-CLIP-100	2.4 (61)	RDSS-100, 2 RDSS-CLIP-100	2.2 (56)
3.75 (95)	RDSS-100	2.9 (74)	RDSS-100, 1 RDSS-CLIP-100	2.7 (69)	RDSS-100, 2 RDSS-CLIP-100	2.5 (64)
4.00 (100)	RDSS-100	3.2 (80)	RDSS-100, 1 RDSS-CLIP-100	3.0 (75)	RDSS-100, 2 RDSS-CLIP-100	2.8 (70)
4.25 (108)	RDSS-100	3.5 (89)	RDSS-100, 1 RDSS-CLIP-100	3.3 (85)	RDSS-100, 2 RDSS-CLIP-100	3.1 (79)
4.50 (114)	RDSS-100	3.5 (89)	RDSS-100, 1 RDSS-CLIP-100	3.3 (85)	RDSS-100, 2 RDSS-CLIP-100	3.1 (79)
4.75 (121)	RDSS-125	3.8 (97)	RDSS-125, 1 RDSS-CLIP-125	3.6 (92)	RDSS-125, 2 RDSS-CLIP-125	3.4 (87)
5.00 (125)	RDSS-125	4.1 (104)	RDSS-125, 1 RDSS-CLIP-125	3.9 (98)	RDSS-125, 2 RDSS-CLIP-125	3.7 (93)
5.25 (133)	RDSS-150†	4.3 (109)	RDSS-150†, 1 RDSS-CLIP-150	4.1 (104)	RDSS-150†, 2 RDSS-CLIP-150	3.9 (98)
5.50 (140)	RDSS-150†	4.7 (120)	RDSS-150†, 1 RDSS-CLIP-150	4.5 (114)	RDSS-150†, 2 RDSS-CLIP-150	4.3 (109)
5.75 (146)	RDSS-150†	4.9 (124)	RDSS-150†, 1 RDSS-CLIP-150	4.7 (119)	RDSS-150†, 2 RDSS-CLIP-150	4.5 (114)
6.00 (150)	RDSS-150†	5.1 (129)	RDSS-150†, 1 RDSS-CLIP-150	4.9 (124)	RDSS-150†, 2 RDSS-CLIP-150	4.7 (120)
6.25 (159)	RDSS-150†	5.4 (138)	RDSS-150†, 1 RDSS-CLIP-150	5.2 (133)	RDSS-150†, 2 RDSS-CLIP-150	5.0 (125)

6.50-8.00 (165-210) Ducts in this range require the use of RDSS-AD-210 adapter. Contact your TE representative for application information.

†See Ordering information.

Ordering Information

- In ducts where the cable/cable bundle is less than 2.4" (60mm) in diameter, an RDSS-AT/AP-150 device must be used in conjunction with the RDSS-150.
- Standard package: RDSS = 10 kits/box or 3 kits/box
RDSS-CLIP = 5 clips/box
RDSS-TOOLS = 1 each/box, CO2 cartridges = 10 each/box, RDSS-AT/AP-150 = 1 each/box
- Related test report: EDR-5253
- S-1278 sealant, used in RDSS-CLIPS, is available separately.
- For proper inflation do not exceed the maximum cable bundle diameter (MCBD). To determine MCBD, use a diameter tape or contact your TE representative for assistance.

RDSS Sealing Clip

RDSS duct sealing clips are to be used if the duct is occupied by more than two cables. The maximum number of cables sealed with one RDSS-CLIP is four. If more cables are to be sealed, one extra clip is needed for every three additional cables. Check with your TE representative for applications with more than seven cables.

Catalog Number	Kit Used With
RDSS-CLIP-45	RDSS-45
RDSS-CLIP-75	RDSS-75 and RDSS-60
RDSS-CLIP-100	RDSS-100
RDSS-CLIP-125	RDSS-125
RDSS-CLIP-150	RDSS-150

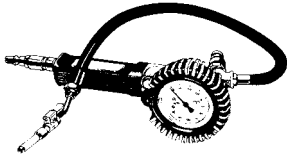
RDSS Installation Tools

RDSS duct seals can be installed with a variety of inflation tools having the capability of inflating RDSS to 45±3 psi (3 bar) of pressure. The tools TE Connectivity offers are summarized in the table below. The tool will only accept 16-gr CO2 gas cylinders (listed below).

RDSS-IT-16



RDSS-IG-SR-AS



Catalog Number	Description	Std. Pack
RDSS-IT-16	Inflation tool designed with an ON/OFF switch and an automatic pressure-monitoring system. The required CO2 gas cylinders (E7512-0160) must be ordered separately.	1 tool/box
E7512-0160	16-gr CO2 gas cylinders for the RDSS-IT-16 tool. Each gas cylinder inflates approximately four RDSS-100 duct seals.	10 cylinders/box
RDSS-IG-SR-AS	Inflation tool designed for use with customer's own source of nitrogen or compressed air. Features a pressure gauge, automatic shutoff, VGF valve connection, and two alternate connections for plastic or rubber hoses.	1 tool/box
E7512-0220	Tube snap assembly. Spare part for RDSS-IT-16 inflation tool.	1 each/box
E7512-0240	Spare pressure gauge assembly for RDSS-IT-16 inflation tool.	1 each/box
E7512-0260	Spare delivery pipe for RDSS-IT-16 inflation tool.	1 each box
S-1278-3 x 61 x 7620	RDSS sealant roll.	1 25-ft roll/box
RDSS-AT/AP-150	For use with the RDSS-150 in duct 5.25" or larger with cable/cable bundles less than 2.4" (60 mm) in diameter.	1 each/box
RDSS-AD-210	Adapter for ducts 6.5 - 8.0" (165 - 210 mm) diameter	4 each/box
E4540-1250	RDSS-LUBE for installation of RDSS.	25 each/box



C_BlankDuct

Blank Duct Plug
Duct Plug | Sealing Ducts

TE's Raychem Blank Duct Plugs effectively seal empty conduits to reduce the cost of cable placement and maintenance in new underground construction projects and routine work. Plugs are removable and reusable providing a more economical sealing solution. These plugs prevent the flow of water and the costly sedimentation of duct banks and conduit systems while confining problems of dangerous vapors to their source.

Manufactured from high-impact plastic components, combined with durable elastic gaskets, blank plugs are corrosion proof and effective for long-term or temporary sealing.

Each blank plug is equipped with a rope tie mechanism that provides the benefit of securing a pull rope to plug's back compression plate and the allowance of storing excess slack rope behind the plug within the conduit system for future use.

- All plastic construction
- Corrosion proof
- Water and gas tight
- Easy Installation and removal
- Fully removable and reusable

Selection Information: dimensions in inches (millimeters)

Catalog Number	Plug Diameter	Duct ID	STD Pack
RBDP-BLA-10D104U	1.00	0.96-1.16 (24.4-29.5)	12
RBDP-BLA-12D148U	1.25	1.14-1.48 (29.0-37.6)	12
RBDP-BLA-15D183U	1.50	1.49-1.83 (37.8-46.5)	12
RBDP-BLA-20D236U	2.00	1.83-2.36 (46.5-59.9)	12
RBDP-BLA-30D346U	3.00	2.99-3.46 (75.9-87.9)	12
RBDP-BLA-40D402U	4.00	3.94-4.17 (100.0-105.9)	8
RBDP-BLA-50D535U	5.00	5.00-5.35 (127.0-135.9)	8
RBDP-BLA-60D637U	6.00	5.82-6.37 (147.8-161.8)	8
RBDP-BLA-80D816U	8.00	7.83-8.27 (198.9-210.1)	8

Torches

These clean-burning, efficient, heat-shrinking torches are recommended for shrinking high voltage products through low voltage products

Selection information

Primus-Sievert Siever-Matic Torch Materials



C_Torches

FH-3366-97-PS-HANDLE

- Siever-Matic S auto ignite, auto shut-off torch handle
- Ergonomic design ensures comfortable operation
- Adjustable output
- Piezo ignition



FH-AD-3061-23-PS-REGULATOR

- Works with torch handle FH-3366-97-PS-HANDLE above
- Adjustable from 14-57psi
- Fitting POL, UNF 9/16 inch LH
- Requires torch hose AD-1432 or AD-1434



FH-AD-3347-91-PS-BURN-1

- Works with torch handle FH-3366-97-PS-HANDLE above
- Recommended especially for low voltage and general purpose products
- Tip diameter 1.0 inch 20,000BTU/hour



FH-AD-3341-91-PS-BURN1.5

- Works with torch handle FH-3366-97-PS-HANDLE above
- Recommended especially for low voltage products and high voltage terminations and splices
- Tip diameter 1.5 inch 40,000BTU/hour



FH-AD-3348-91-PS-BURN-2

- Works with torch handle FH-3366-97-PS-HANDLE above
- Recommended especially for Raysulate products
- Tip diameter 2.0 inch 90,000BTU/hour

Bullfinch Torch Materials



FH-2629-TORCH ASSY

- Built-in ignitor recommended for all products
- General purpose, heavy-duty propane torch with comfortable grip
- Provides a clean burning flame for shrinking high voltage products or thick-wall low voltage products.
- Output: Approximately 30,000 BTU/Hour

FH-2629-ELECTRODE

- Replacement ignitor for FH-2629 torch

C_Torch_Accessories



Torch Accessories

AD-1358-LPG-REGW/GAGE

- Propane tank regulator with gauge (0–30 psi)
- Can also be used with Primus-Sievert or BullFinch products

AD-1432-ACD10FT-LPG-HOSE

- 10-foot LPG hose



AD-1434-ACD30FT-LPG-HOSE

- 30-foot LPG hose

AD-1460-ACD-HEAT-SHLDGPA

- 12 x 40 pad woven of heat-resistant fabric with corner grommets
- Protects adjacent components from torch heat during installation of heat-shrinkable products in confined areas



AD-1563-ADAPTER

- Valve to standard hose
- For use with FH-2618A-1 propane torch if disposable cylinders are not used

AD-3015-04

- Adapts Siever-Matic S FH-2649-PS-KIT or FH2629 for use with disposable 14.1 oz propane cylinders
- Includes 4-foot hose and regulator preset at 28 psi

C_Torch_Kits



Torch Kits

FH-2618A-1

- Light, portable propane torch for installing low voltage products and smaller, conductor-sized, high-voltage (up to 15 kV) accessories
- Includes hose, handle assembly, and regulator for disposable propane cylinder
- Operates from disposable 14.1 oz. propane cylinders
- Output: Approximately 20,000 BTU/hour
- Handle and torch head not available separately
- Regulator and hose assembly is product AD-3015-04

FH-2629-Kit

- Includes (AD-1432) 10 foot hose, (AD-1358) adjustable regulator, and (FH-2629-TORCH-ASSY) torch handle and tip

FH-2640-PS-KIT

- Primus-Sievert torch kit for use with disposable propane bottles
- Includes (FH-3366-97-PS-HANDLE, FH-AD-3341-91-PS-BURN1.5, & AD-3015-04)



FH-2649-PS-KIT

- Seiver-Matic S auto ignite, auto shut-off torch system
- Recommended especially for Raysulate products and can be used with all products
- Includes ergonomic handle, 30 foot hose, adjustable regulator, and large burner (3348-91); all in a canvas carrying bag
- Output: Approximately 90,000 BTU/hour
- Smaller burner and adapter for disposable bottles available. Includes: FH-3366-97-PS-HANDLE, FH-AD-3348-91-PS-BURN-2, FH-AD-3061-13-PS-REGULAT, AD-1434-ACD30FT-LPG-HOSE, and a carrying bag



C_Heat_Guns



CUS Listed
Heat Gun 16C6

Heat Guns

These hot-air heat guns are ideal for shrinking small low voltage products and identification marking sleeves. Heat guns are not recommended for shrinking high voltage products or thick-wall low voltage products.

FH-PS-2001

Primus-Sievert model with increased air flow allows faster shrinking. 120V, 1750 watt, 80°F – 1100°F, Variable air flow: 21 cfm max., double insulated LED read out. This heat gun can be used for shrinking thick-wall low voltage products.

HG-501A

115 Volts

462047

500°F – 750°F hot-air gun ideal for shrinking ShrinkMark or TMS marking products, and thin-wall tubing. Includes stand. Reflector must be ordered separately.

HG-751A-C

120 Volts

926935

750°F – 1000°F hot-air gun for shrinking low voltage and marking products. Includes stand. Reflector must be ordered separately.

Heat Gun Accessories

Catalog Number	Description
TG-12 Reflector	Use on tubing up to 3/4 inch in diameter.
TG-13 Reflector	Use on tubing up to 2 inches in diameter.
TG-23 Reflector	Use on tubing and cable breakouts up to 1 3/4 inches in diameter.
TG-24 Reflector	Use on tubing and cable breakouts up to 3 1/4 inches in diameter.

Ordering Information

Standard package: 1 each/box.



C_Glow_Torch

Glow Torch

- Lightweight, portable, and ergonomic design
- Provides a wide-flame torch output for instant controlled heating
- Automatic Piezo Electronics Ignition System
- Attaches directly to 1 lb or 2 lb disposable propane bottles
- Installs thin wall, dual wall and adhesive lined heat-shrink tubing and sleeves

Selection Information:

Catalog Number	Description	Std. Pack
CPGI-GLOW-TORCH	Wide-Flame Torch	10



C_Glow_Gun

Glow Gun

- Lightweight, portable, and ergonomic design
- Provides a wide-flame torch output for instant controlled heating
- Automatic Piezo Electronics Ignition System
- Attaches directly to 1 lb or 2 lb disposable propane bottles
- Installs thin wall, dual wall and adhesive lined heat-shrink tubing and sleeves

Selection Information:

Catalog Number	Description	Std. Pack
CPGI-GLOW-GUN	Flameless heat gun	10



Splicing Tools

EXRM-1004-US - Insulation Removal Tool

- Description – hand tool for making ring cuts on cable jackets and EPR insulation.
- Length = 7.5 inches
- Ring cut range - .50-2.00 inches



EXRM-0607 - Cable Splice Knife

- Special purpose short blade
- Comfortable full-size handle
- Finest cuttery steel, tough and carefully tempered to hold its edge

C_Splicing_Tools

Impact Wrench



IT-1000-033-US - Cordless Impact Wrench

- Easy and quick installation of mechanical ShearBolt connectors
- Powerful design, class leading torque - 1,460 in-lbs
- Includes battery charger two 12 volt NI-MH batteries carrying case, sockets 1/2" hexagonal socket sizes 10, 13, 17, 19, 22, 27, 1/4" hexagonal adapter

CA7478-000 - Battery for Cordless Impact Wrench

CA7476-000 - Charger for Battery



Wire Cutters

605744-1 - 350 MCM Cutter

- Suitable for copper and aluminum up to 350 MCM
- Steel handles
- Not for steel or ACSR cable



605742-1 - 500 MCM Cutter

- Suitable for copper and aluminum up to 500 MCM
- 21 inches overall length
- Fiberglass handles
- Not for steel or ACSR cable

C_WireCutters



Cable Cutters

1490489-1

- Suitable for copper or aluminum, solid or stranded to 350 MCM
- Ratchet mechanism keeps handle force low
- Handles lock together for safety/storage
- Compact design for easy fit into tight places
- Quick-release lever for easy take-up
- Ideal for cutting cable up to 2/0
- Also cuts coax cable up to RG-9



607453-2 1

- Great for copper and aluminum cable up to 1.5" diameter
- Light weight tubular steel handles with vinyl hand grips
- Fixed and moving blade made from high grade alloy steel
- Fast advance button to minimize required motion
- Combines light weight and ratcheted mechanical advantage in its circular cutting motion
- Weight 3.27 Lb [1.49 Kg]
- Not for steel or ACSR cable



169415-1

- Solid and stranded copper and aluminium cables
- Solid Cu 185 mm²
- Solid Al 240 mm²
- Stranded Cu / Al Ø25
- Hi Flex Cu Ø32

C_CableCutters

734045-1

- Solid and stranded copper and aluminium cables
- Solid Cu 185 mm²
- Solid Al 185 mm²
- Stranded Cu / Al Ø52
- Hi Flex Cu Ø52

1-1579002-8

- Solid and stranded copper and aluminium cables (no ASCR)
- Solid Cu 480 mm²
- Solid Al 480 mm²
- Stranded Cu / Al Ø54



KMS-K-INT

- Cable Sheath cutter



Cable Vise

IT 1000-002

The IT-1000-002 cable vise is for fast and easy installation of joints and the repair of cables. An adaptor is included which enables the cable vise to be used for the installation of terminations. Suitable for field installation and for workshop use. When fixed to a work bench, the upper part with the clamps can be used without the legs. Cable vise for the installation of joints and the repair of cables.

Cable Vise Adaptor and Clamp (comes with Cable Vise)

Adaptor and clamp for the installation of terminations



C_CableVise



Tool Sets

IT-1000-006 - Assortment of Tools

- 1x Pipe Wrench, size 9.84" (250 mm)
- 1x Side cutter, size 6.30" (160 mm)
- 1x Pincers, size 7.08" (180 mm)
- 1x Combination Pliers, size 7.08" (180 mm)
- 1x Scissors, size 7.87" (200 mm)



IT-1000-019 - Installation tool for mechanical connectors

This tool avoids the cable cores being over bend during installation of mechanical connectors
Application diameter range: .59"-2.36" (15-60 mm). Length of handle: 8.07" (205 mm)



734587-1 - Cable Tie Gun

- For cable ties 3.3-4.8 mm
- Thickness up to 1.6 mm
- Automatic cut-off
- Adjustable tension setting

C_ToolSets



Stripping Tools

IT-1000-030-2 - Screen Removal Tool

- Screen Removal Tool IT-1000-030-2 for bonded screens on round conductors of MV Cables includes: 1 spare blade, silicone grease and allen key delivered in a robust polypropylene box.
- Suitable for one and three core cables.
- Application range over insulation .39"-1.97" (10-50 mm), Min screen cutback .39" (10mm), variable cutting thickness

IT-1000-030-2-BLADE - SIML 0-711744-1

- Cable Jacket/lead removal tool



SIMIL 0711744-1

Cable jacket / lead removal tool PG2, cable diameter .83"-1.37" (21-33 mm)

SIML 0-711745-1

Cable Jacket / lead removal tool-PG3 Cable Diameter 1.02"-2.04" (26-52 mm)

SIML 0-711746-1

Cable Jacket / lead removal tool-PG3 Cable Diameter 1.85"-2.95" (47-75 mm)



SIML 0-0711748-1

Strip insulation of MV cables of diameter between .55"-1.57" (14-40 mm)

SIML 0-0711749-1

Strip insulation of MV cables of diameter between 1.50"-2.36" (38-60 mm)



LHM 1R 30/45 - 0-0716541-1

To strip non-bonded semiconductive screen of MV cables of diameter between .55"-1.57" (14-40 mm)

C_StrippingTools