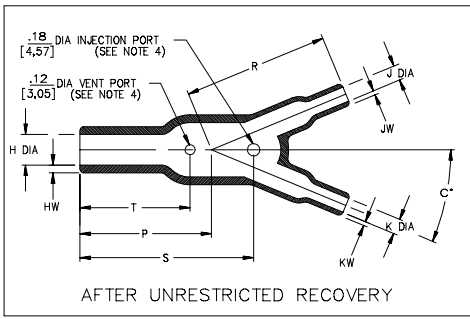
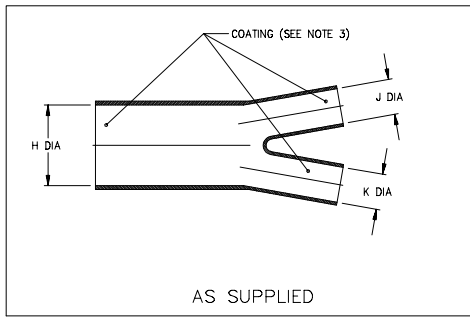


Thermofit[®] Molded Parts
 Specification Control Drawing
 Limited Distribution

Part Number : 382A0XX-25/225
 Description : Transition, Y

NOTES

- All dimensions are in $\frac{\text{inches}}{\text{[millimeters]}}$
- Dimensions appearing in table are as follows:
 a - As Supplied
 b - After Unrestricted Recovery
- Coating is optional. As supplied dimensions appearing in table are for uncoated parts. When coating is added, entry diameters will be reduced by .06 max.
- Molding parts are optional. When -00 modification number is specified molding parts will be located as shown.



PART NUMBER	H		J		K		P ±10% b	R ±10% b	S ±10% b	T ±10% b	HW ±20% b	JW & KW ±20% b	C ±5% b
	Min a	Max b	Min a	Max b	Min a	Max b							
382A012	.52 [13,2]	.24 [6,1]	.26 [6,6]	.13 [3,3]	.26 [6,6]	.13 [3,3]	.88 [22,4]	.76 [19,3]	.94 [23,9]	.61 [15,5]	.06 [1,52]	.04 [1,02]	22 1/2*
382A023	1.06 [26,9]	.49 [12,4]	.52 [13,2]	.24 [6,1]	.52 [13,2]	.24 [6,1]	1.50 [38,1]	1.70 [43,2]	2.10 [53,3]	1.30 [33,0]	.10 [2,54]	.06 [1,52]	22 1/2*
382A034	1.52 [38,8]	.71 [18,0]	1.06 [26,9]	.49 [12,4]	1.06 [26,9]	.49 [12,4]	2.58 [65,5]	3.10 [78,7]	3.10 [78,7]	2.20 [55,9]	.12 [3,05]	.10 [2,54]	22 1/2*
382A046	2.19 [55,6]	1.02 [25,9]	1.06 [26,9]	.50 [12,7]	1.06 [26,9]	.50 [12,7]	3.35 [85,1]	3.70 [94,0]	4.40 [111,8]	2.80 [71,1]	.18 [4,57]	.10 [2,54]	22 1/2*

If this document is printed it becomes uncontrolled.
 Check for the latest revision.

Raychem
 RAYCHEM CORPORATION
 300 CONSTITUTION DRIVE
 MENLO PARK, CALIFORNIA 94025

Revision : A
 Date : 1/6/99

Part Number : 382A0XX-25/225
 Description : Transition, Y

Thermofit[®] Molded Parts
 Specification Control Drawing
 Limited Distribution

Part Number : 382A0XX-25/225
 Description : Transition, Y

MATERIAL DASH NO.	MATERIAL DESCRIPTION	RT SPEC	COATING SLASH NO.	COATING S NO.	COATING DESCRIPTION
-25	Elastomer, Fluid Resistant	RT-1325	/225	S-1206	Adhesive

ORDERING INFORMATION			
Base part number	382A0XX	-25	-XX /225
Material dash number (See Compatibility Chart)			
Modification number (If necessary, see front of scd binder for a complete list)			
Adhesive slash number (If necessary, see Compatibility Chart)			

THIS DRAWING IS SUBJECT TO CHANGE WITHOUT NOTICE; CONSULT YOUR NEAREST FIELD REPRESENTATIVE FOR CURRENT REVISION

Raychem
 RAYCHEM CORPORATION
 300 CONSTITUTION DRIVE
 MENLO PARK, CALIFORNIA 94025

Revision : A
 Date : 1/6/99

Part Number : 382A0XX-25/225
 Description : Transition, Y