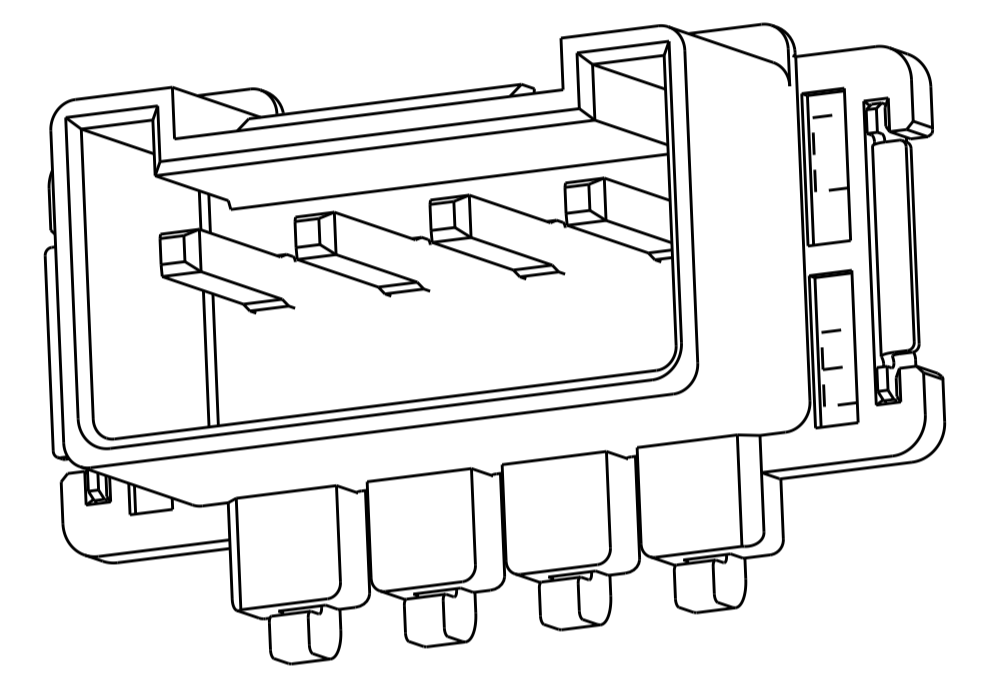
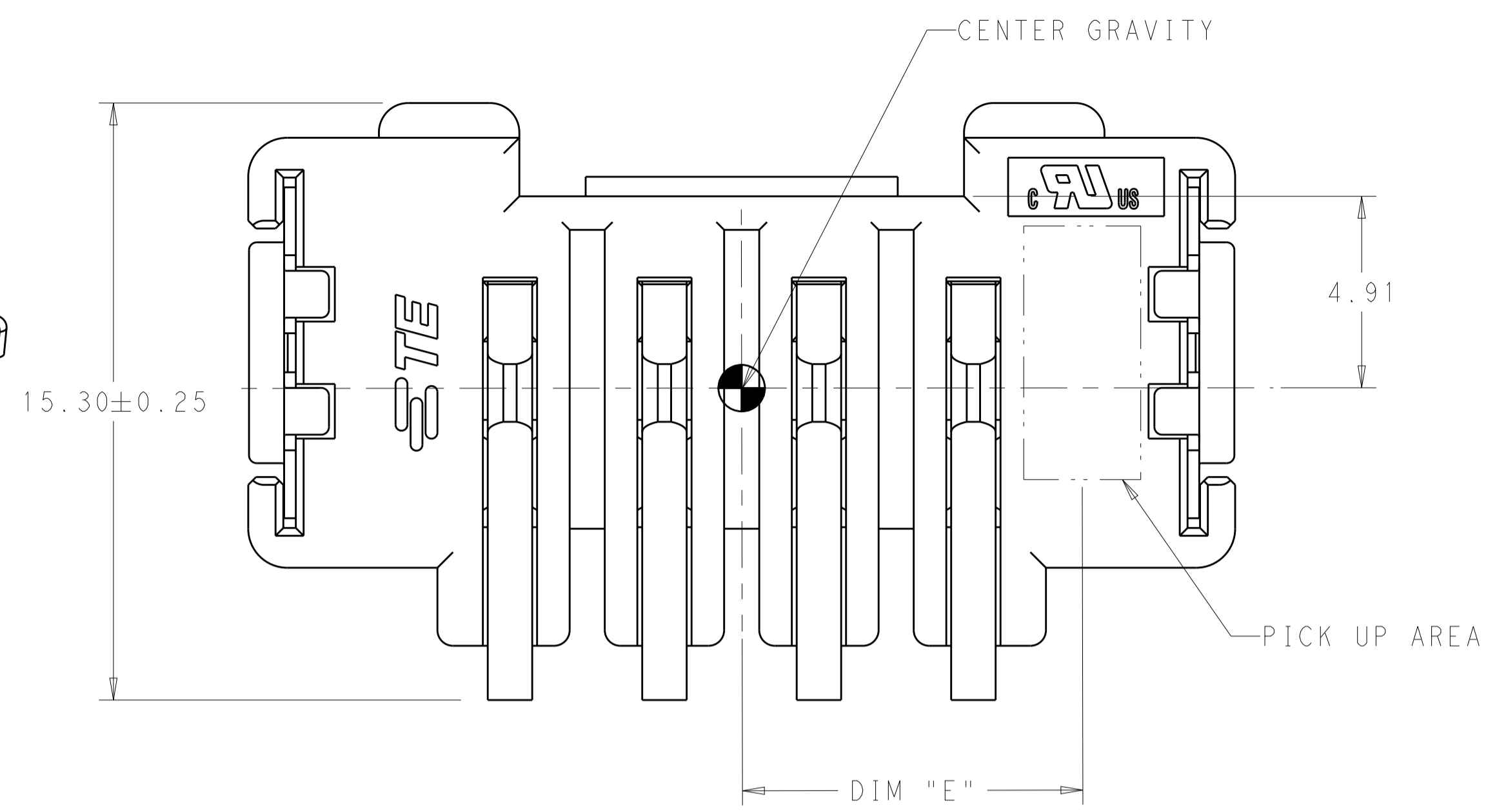
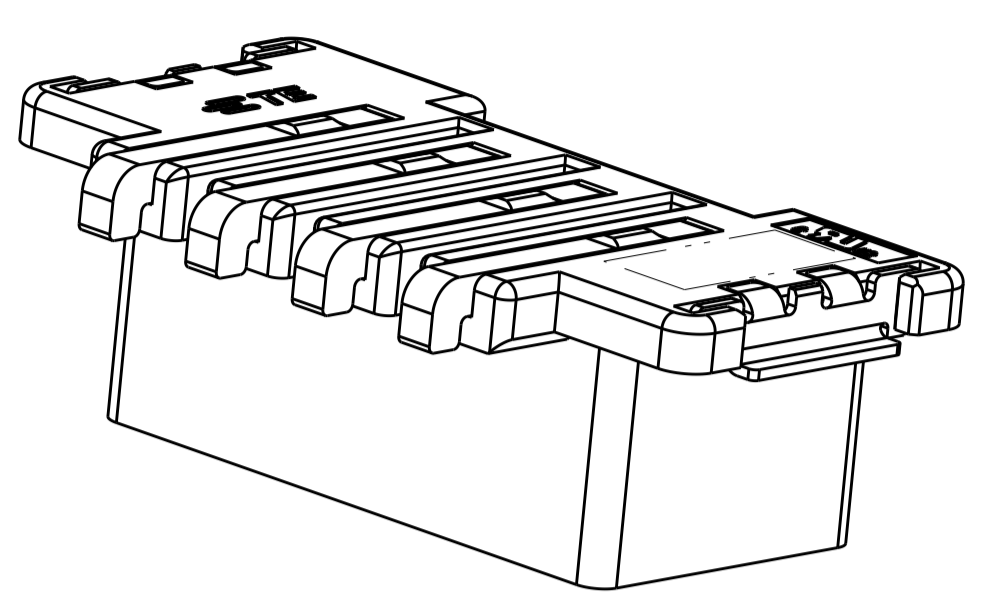
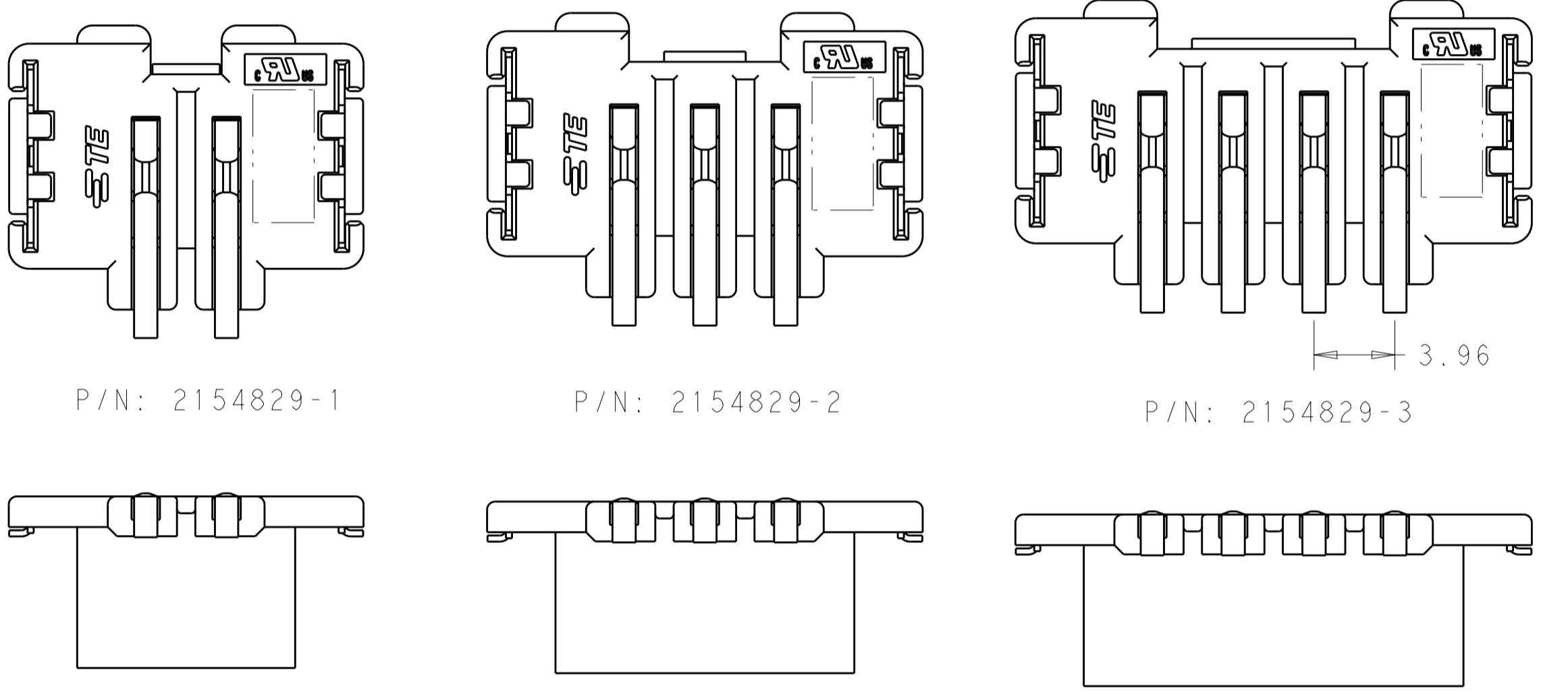
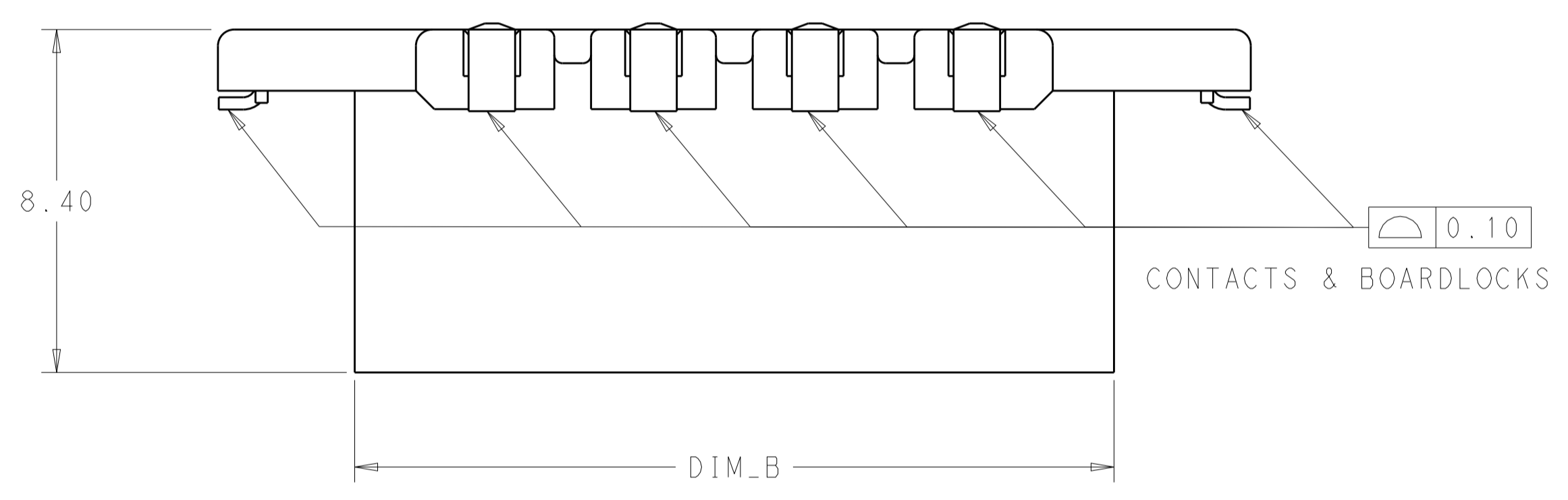


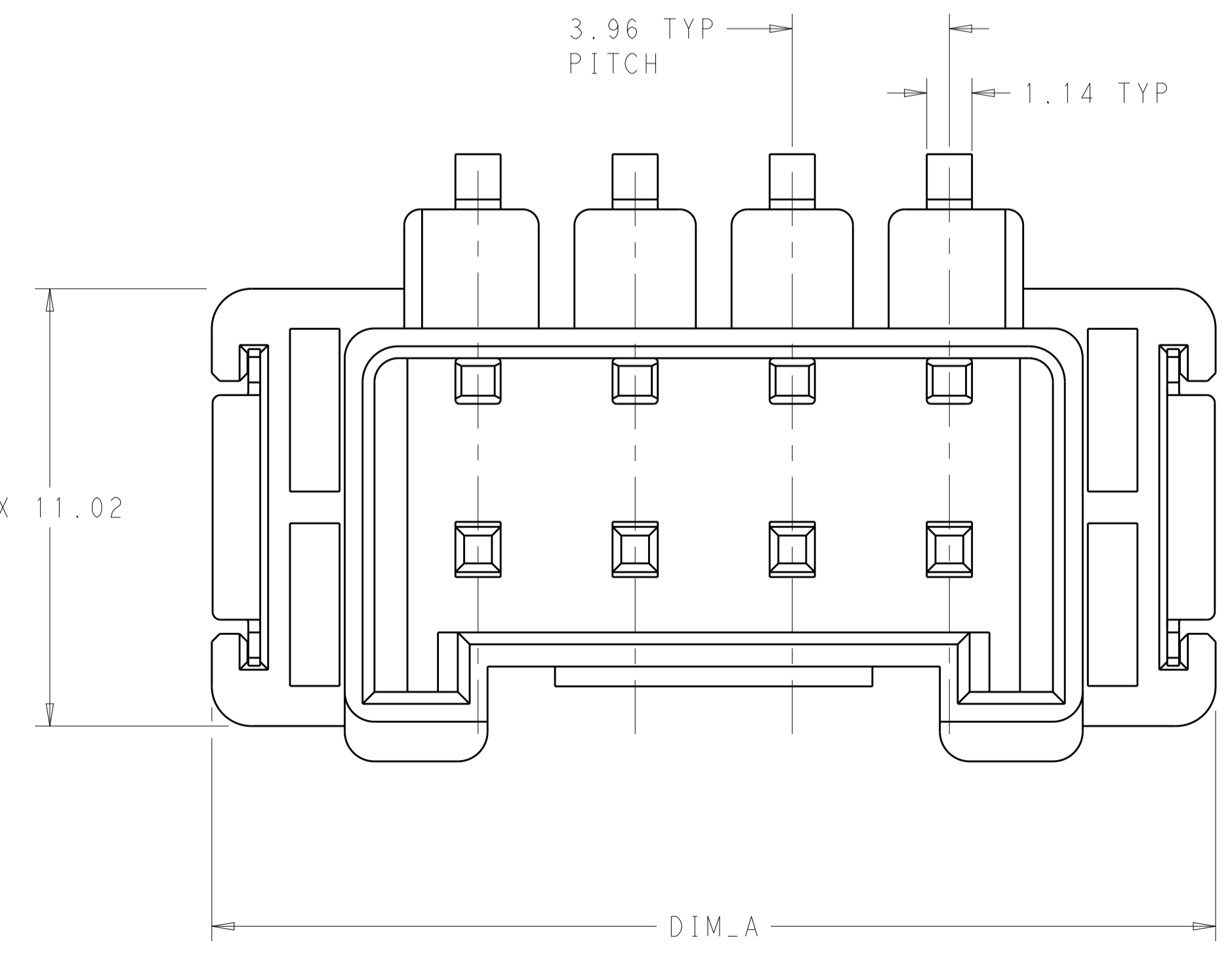
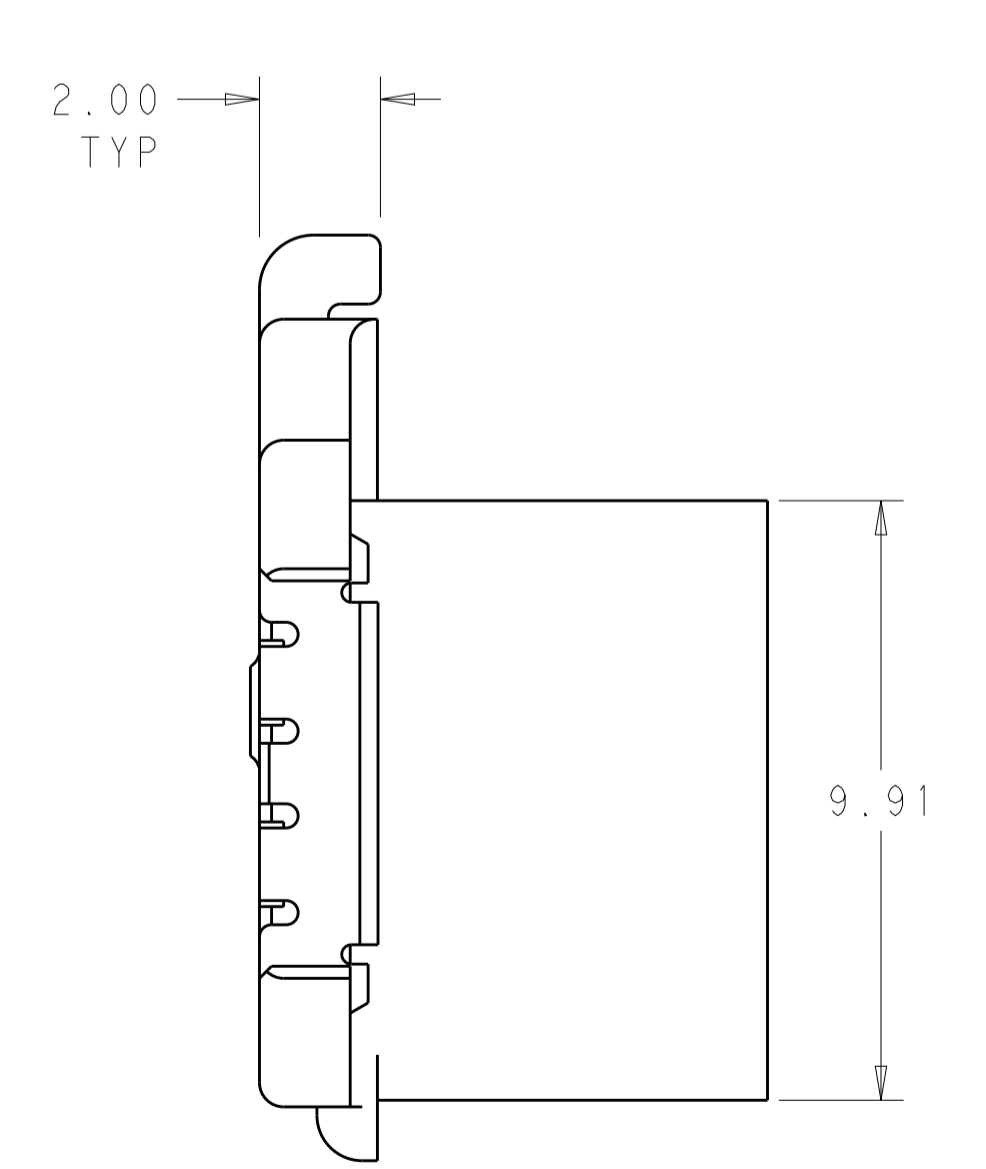
REVISONS		DATE	DWN	APVD
P	LTN			
A	REVISED PER ECR-13-004439	20MAR2013	RS	DD



ISOMETRIC VIEW
(P/N: 2154829-3 SHOWN)



- MATERIAL AND FINISH:
 -HOUSING: LCP, COLOR: NATURAL
 -CONTACTS: COPPER ALLOY, FINISH: Sn OVER Ni
 -BOARD LOCKS: COPPER ALLOY, FINISH: Sn OVER Ni
- MUST COMPLY WITH DIRECTIVE 2002/95/EC (ROHS)
- PACKAGE IN TAPE & REEL PER ETA-48I SPECIFICATIONS
 DIAMETER OF REEL TO BE 330mm.
- THIS PRODUCT HAS NOT COMPLETED VALIDATION TESTING.



SCALE 4:1

8.73	12.04	19.00	18.60	25.30	4	2154829-3
6.75	10.06	15.00	14.64	21.34	3	2154829-2
4.77	8.08	11.00	10.68	17.38	2	2154829-1
DIM_E	DIM_D	DIM_C	DIM_B	DIM_A	NO. OF POSN.	PART NUMBER

THIS DRAWING IS A CONTROLLED DOCUMENT.

DIMENSIONS: mm

TOLERANCES UNLESS OTHERWISE SPECIFIED:

0 PLC	±
1 PLC	±
2 PLC	±0.13
3 PLC	±
4 PLC	±
ANGLES	±
FINISH	

MATERIAL: -

Customer Drawing

DWN: G. PETERS 01FEB2012
 CHK: C. GINGRICH 01FEB2012
 APVD: C. GINGRICH

NAME: ASSEMBLY INVERTED THRU BOARD 2 THRU 4 POSITIONS 3.96 PITCH

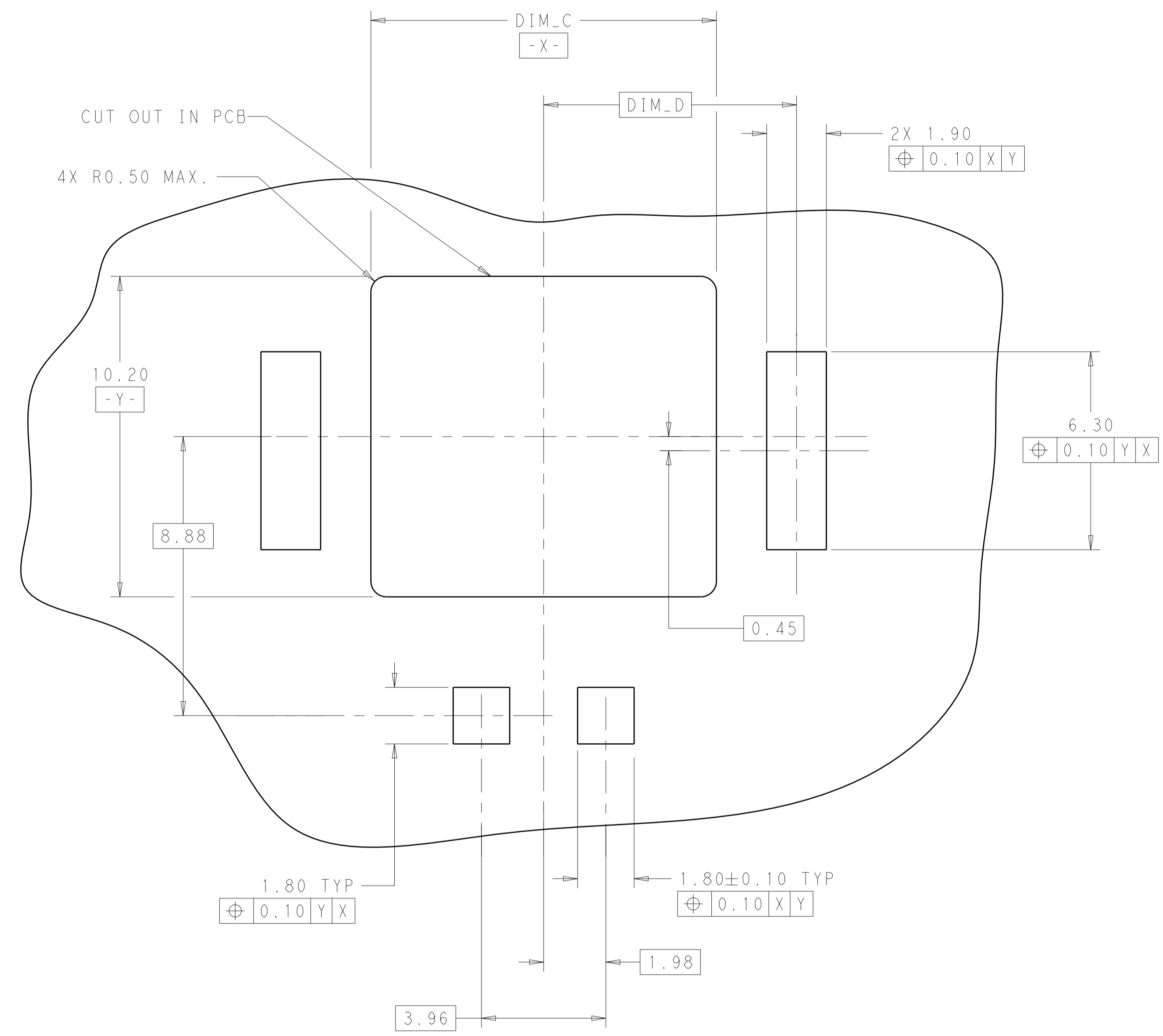
PRODUCT SPEC: 108-133000
 APPLICATION SPEC: 114-32030

SIZE: A1
 CAGE CODE: 00779
 DRAWING NO: C=2154829

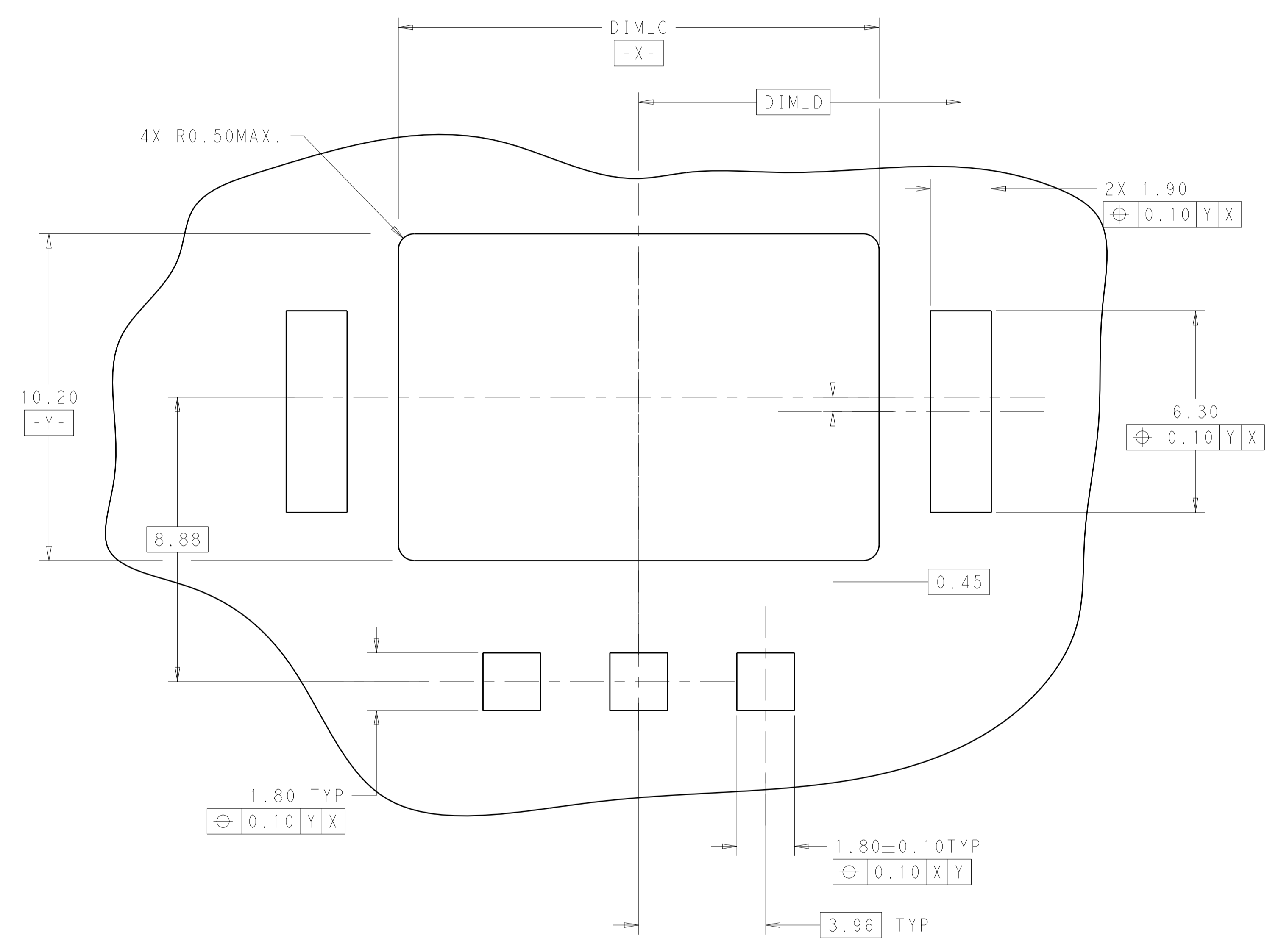
RESTRICTED TO: -

SCALE: 1:1 SHEET 1 OF 3 REV A

LOC		DIST		REVISIONS			
P	LTN	DESCRIPTION	DATE	DMN	APVD		
-	-	SEE SHEET 1	-	-	-	-	-



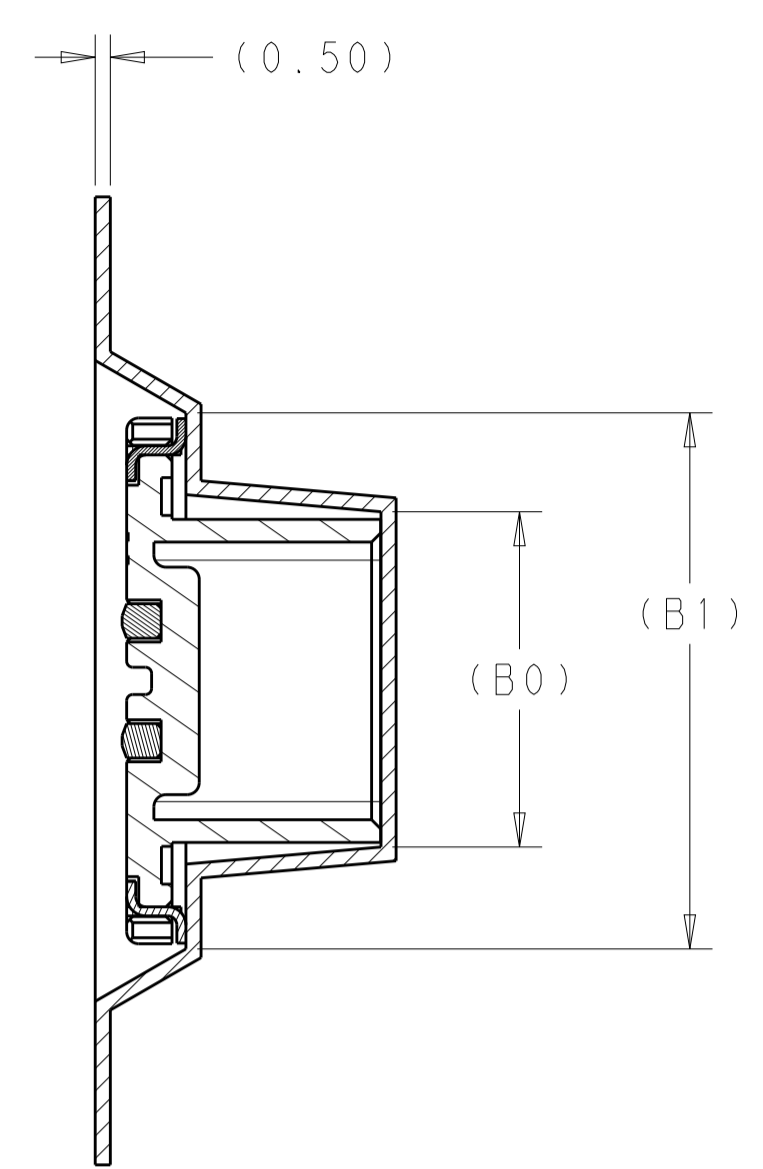
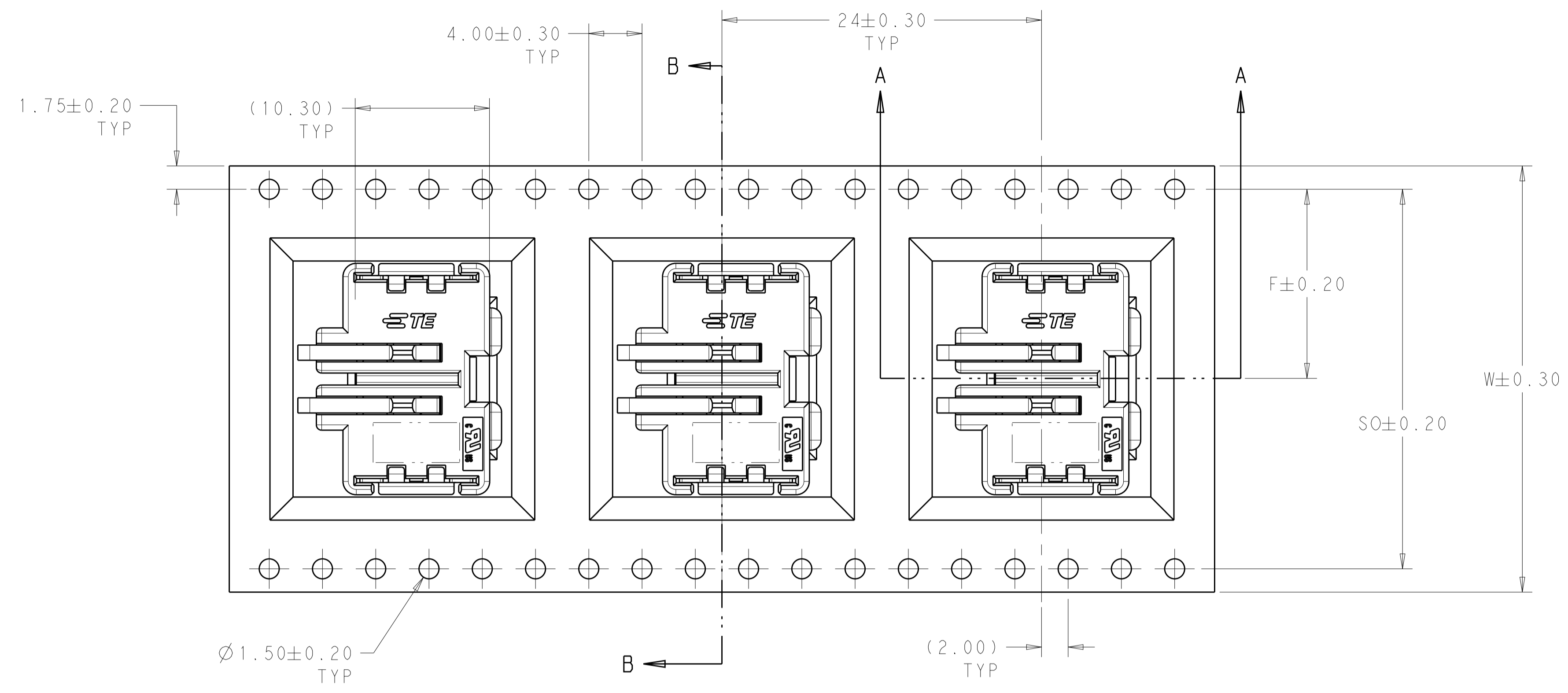
RECOMMENDED PCB LAYOUT
 EVEN NUMBER POSITIONS SHOWN
 SCALE 10:1



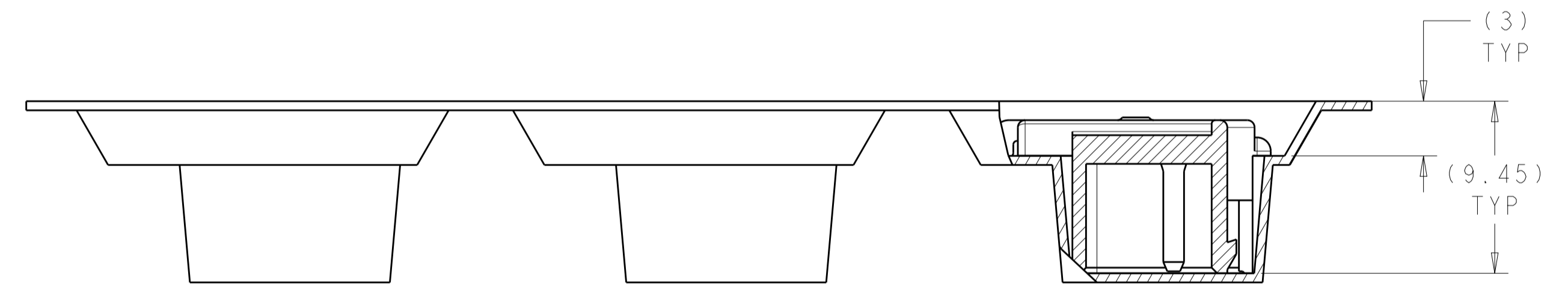
RECOMMENDED PCB LAYOUT
 ODD NUMBER POSITIONS SHOWN
 SCALE 10:1

THIS DRAWING IS A CONTROLLED DOCUMENT.		DMN G. PETERS 01FEB2012	TE Connectivity
DIMENSIONS: mm		CHK C. GINGRICH 01FEB2012	
TOLERANCES UNLESS OTHERWISE SPECIFIED:		APVD C. GINGRICH	NAME ASSEMBLY INVERTED THRU BOARD
0 PLC ±		PRODUCT SPEC 108-133000	2 THRU 4 POSITIONS 3.96 PITCH
1 PLC ±0.13		APPLICATION SPEC	
2 PLC ±		114-32030	SIZE CAGE CODE DRAWING NO
3 PLC ±		WEIGHT	A100779C=2154829
4 PLC ±		Customer Drawing	RESTRICTED TO
ANGLES ±		SCALE 1:1	SHEET 2 OF 3
FINISH			REV A

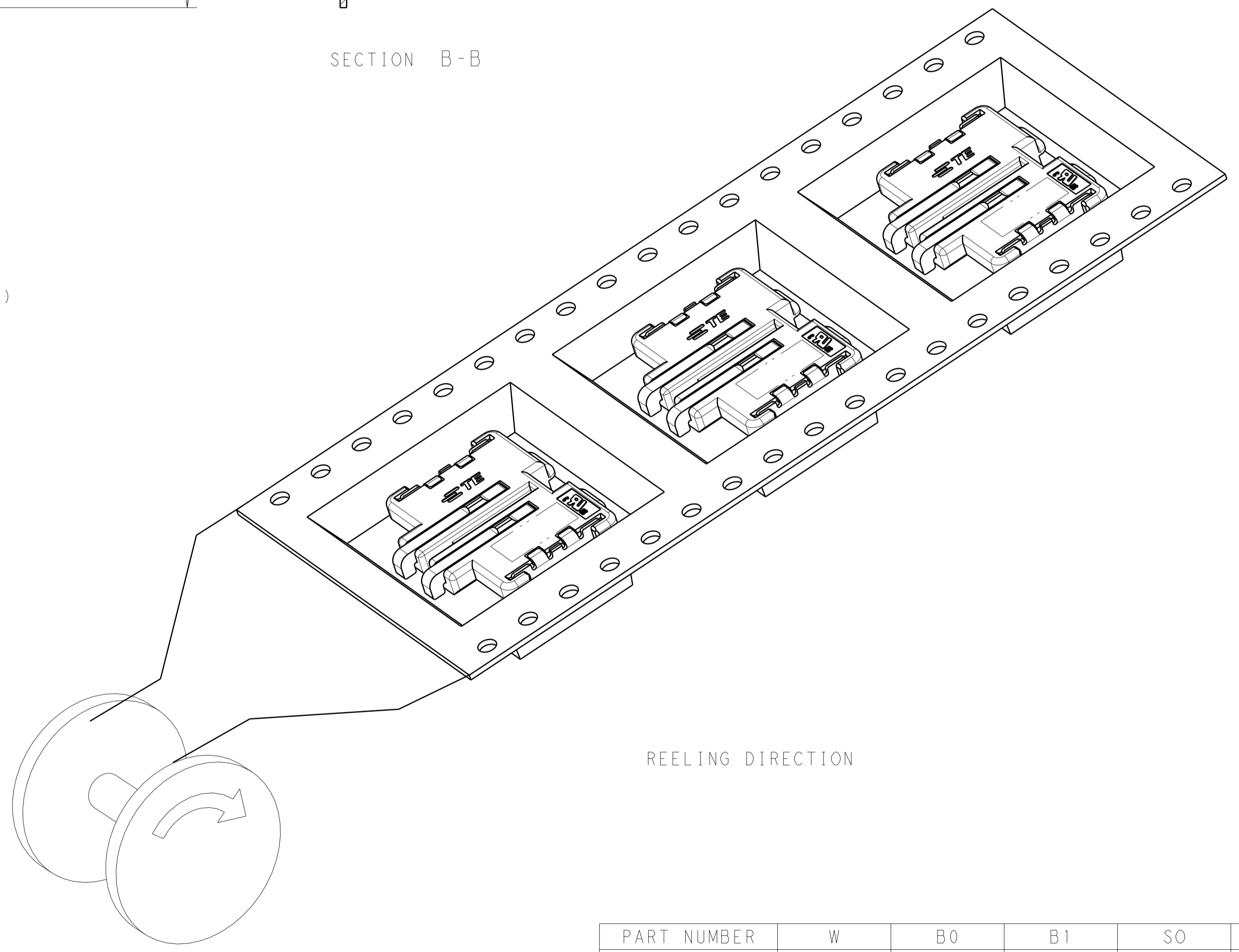
LOC		DIST		REVISIONS			
				DESCRIPTION	DATE	DWN	APVD
-	-	-	-	SEE SHEET 1	-	-	-



SECTION B-B



SECTION A-A



REELING DIRECTION

PART NUMBER	W	B0	B1	SO	F
2154829-1	32.0	11.1	18.3	28.5	14.2
2154829-2	44.0	15.06	22.26	40.5	20.2
2154829-3	44.0	19.02	26.22	40.5	20.2

THIS DRAWING IS A CONTROLLED DOCUMENT.		DWN: G. PETERS 01FEB2012	TE Connectivity NAME: ASSEMBLY INVERTED THRU BOARD 2 THRU 4 POSITIONS 3.96 PITCH
DIMENSIONS:		CHK: C. GINGRICH 01FEB2012	
mm		APVD: C. GINGRICH	
0 PLC ± 1 PLC ± 2 PLC ±0.13 3 PLC ± 4 PLC ± ANGLES ±		PRODUCT SPEC: 108-133000 APPLICATION SPEC: 114-32030 WEIGHT:	
MATERIAL:		FINISH:	SIZE: A1 CAGE CODE: 00779 DRAWING NO: C=2154829 RESTRICTED TO:
		Customer Drawing	SCALE: 1:1 SHEET: 3 OF 3 REV: A