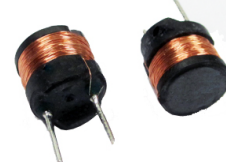


Unshielded Radial Power Inductor

AIUR-07 Series



RoHS
Compliant



4.6 x ϕ 6.0 mm

FEATURES:

- Ferrite core with heat shrink tube
- High Reliability

APPLICATIONS:

- Switching Power Supplies
- Noise Filtering
- DC to DC Converters
- Electronic Household Appliances
- Buzzers and Alarm Systems
- Television and Audio Equipment

STANDARD SPECIFICATIONS:

PARAMETERS

ABRACON P/N:	AIUR-07 Series
Operating temperature:	-55°C to + 85°C with full rated current, -55°C ~ +125°C with no load.
Storage temperature:	-40°C to + 85°C

Part Number	Inductance	Tolerance	Q (Min)	DCR (Max)	Saturation Current (Max)	Inductance Code
Units	μ H	%		Ω	A	
Symbol	L	K		DCR	IDC	
AIUR-07-100	10	K	24	0.10	1.5	100K
AIUR-07-120	12	K	23	0.12	1.4	120K
AIUR-07-150	15	K	33	0.13	1.3	150K
AIUR-07-180	18	K	31	0.14	1.1	180K
AIUR-07-220	22	K	29	0.16	1.0	220K
AIUR-07-270	27	K	27	0.19	0.9	270K
AIUR-07-330	33	K	37	0.25	0.8	330K
AIUR-07-390	39	K	37	0.28	0.5	390K
AIUR-07-470	47	K	35	0.32	0.7	470K
AIUR-07-560	56	K	34	0.37	0.6	560K
AIUR-07-680	68	K	39	0.46	0.6	680K
AIUR-07-820	82	K	36	0.54	0.5	820K
AIUR-07-101	100	K	43	0.66	0.5	101K
AIUR-07-121	120	K	48	0.87	0.4	121K
AIUR-07-151	150	K	49	1.03	0.4	151K
AIUR-07-181	180	K	47	1.26	0.4	181K
AIUR-07-221	220	K	47	1.39	0.3	221K
AIUR-07-271	270	K	53	2.0	0.3	271K
AIUR-07-331	330	K	55	2.2	0.3	331K
AIUR-07-391	390	K	56	2.6	0.2	391K
AIUR-07-471	470	K	53	3.0	0.2	471K
AIUR-07-561	560	K	53	3.5	0.2	561K
AIUR-07-681	680	K	58	4.7	0.18	681K
AIUR-07-821	820	K	57	5.3	0.17	821K
AIUR-07-102	1000	K	60	6.3	0.15	102K

Test Conditions and equipments

Test frequency: 1KHz for 100 μ H~1000 μ H; 2.52MHz for 10 μ H~82 μ H

Isat: max. 10% inductance drop from initial value

ABRACON IS
ISO 9001:2008
CERTIFIED



ABRACON
CORPORATION

Visit www.abracon.com for Terms & Conditions of Sale

30332 Esperanza, Rancho Santa Margarita, California 92688
tel 949-546-8000 | fax 949-546-8001 | www.abracon.com

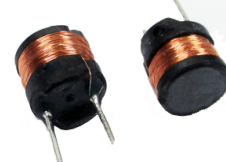
Revised: 08.28.12

Unshielded Radial Power Inductor

AIUR-07 Series



RoHS



4.6 x ϕ 6.0 mm

PART IDENTIFICATIONS:

AIUR-07-

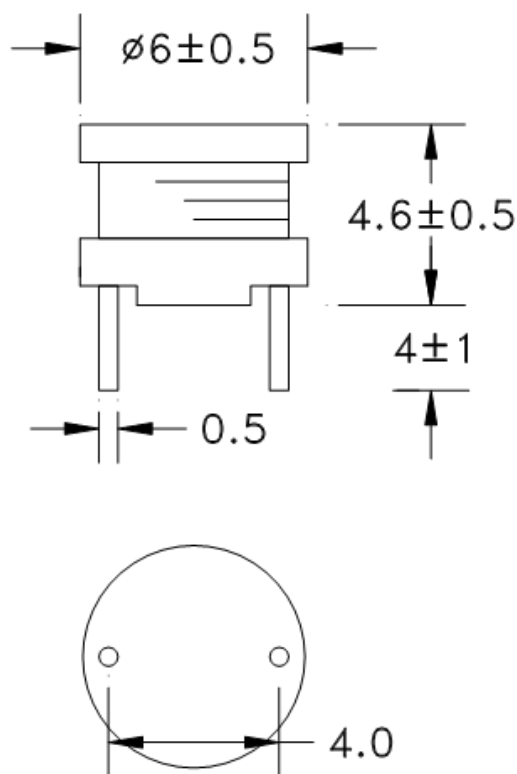
Inductance Code

Please refer to the
Electrical Spec Table

Tolerance

K: $\pm 10\%$

OUTLINE DRAWING:



Dimension: mm

Packing (1,000pcs / Box)

ATTENTION: Abracon Corporation's products are COTS – Commercial-Off-The-Shelf products; suitable for Commercial, Industrial and, where designated, Automotive Applications. Abracon's products are not specifically designed for Military, Aviation, Aerospace, Life-dependant Medical applications or any application requiring high reliability where component failure could result in loss of life and/or property. For applications requiring high reliability and/or presenting an extreme operating environment, written consent and authorization from Abracon Corporation is required. Please contact Abracon Corporation for more information.

ABRACON IS
ISO 9001:2008
CERTIFIED



Visit www.abracon.com for Terms & Conditions of Sale **Revised: 08.28.12**
30332 Esperanza, Rancho Santa Margarita, California 92688
tel 949-546-8000 | fax 949-546-8001 | www.abracon.com