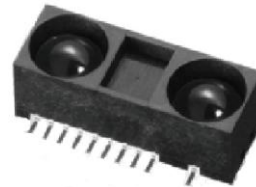


# GP2Y0A60SZ0F

# GP2Y0A60SZLF

Distance Measuring Sensor Unit  
Measuring distance : 10 to 150 cm  
Analog output type



## ■Description

**GP2Y0A60SZ0F/GP2Y0A60SZLF** is a distance measuring sensor unit, composed of an integrated combination of PSD (position sensitive detector), IR-LED (infrared emitting diode) and signal processing circuit.

The variety of the reflectivity of the object, the environmental temperature and the operating duration are not influenced easily to the distance detection because of adopting the triangulation method.

This device outputs the voltage corresponding to the detection distance. So this sensor can also be used as a proximity sensor.

## ■Features

1. Distance measuring sensor is united with PSD, infrared LED and signal processing circuit
2. Distance measuring range : 10 to 150 cm
3. Compact size (22.0 × 8.0 × 7.2mm)
4. Long distance measuring type  
(No external control signal required)
5. Analog output type

## ■Agency approvals/Compliance

1. Compliant with RoHS directive (2002/95/EC)

## ■Applications

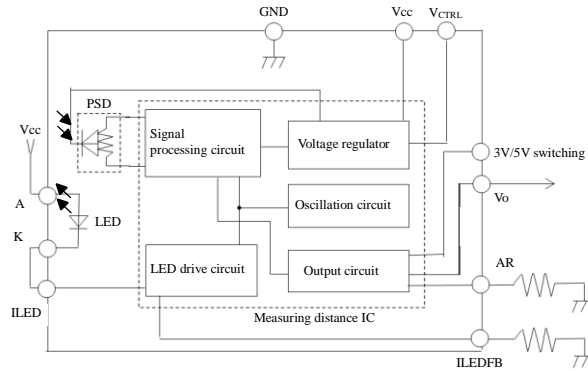
1. Touch-less switch  
(Sanitary equipment, Control of illumination, etc)
2. Sensor for energy saving  
(ATM, Copier, Vending machine, Laptop computer, LCD monitor, etc)
3. Amusement equipment  
(Robot, Arcade game machine, etc)

Notice The content of data sheet is subject to change without prior notice.

In the absence of confirmation by device specification sheets, SHARP takes no responsibility for any defects that may occur in equipment using any SHARP devices shown in catalogs, data books, etc. Contact SHARP in order to obtain the latest device specification sheets before using any SHARP device.

Sheet No.: OP13005EN

■ Schematic



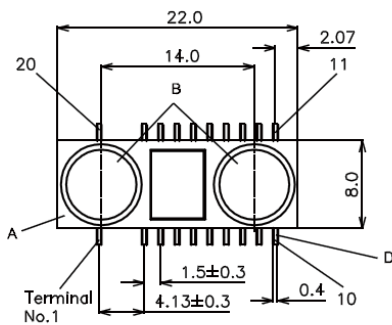
- Showing main terminal
- Please use an electric source with an output current of 400mA or more because LED pulse current is more than 300mA.

■ Outline

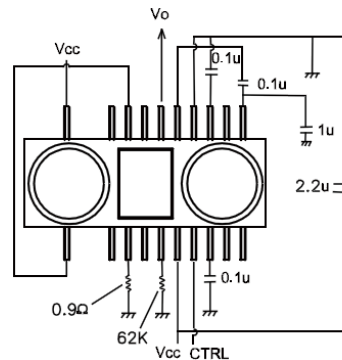
GP2Y0A60SZ0F

(Drawing No.CY14442J02)

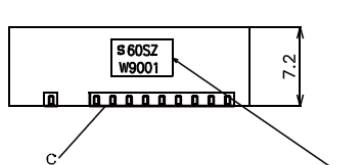
Scale : 2/1 Unit : mm



Connention Diagram



Above connection is the case of Vcc = 3V.  
In the case of Vcc=5V, terminal No.4 is connected to GND.



Materials

A Case	Carbonic ABS (Conductive resin)
B Lens	Acrylic acid resin(Visible light cut type)
C Device coating	PPS (color : Black)
D Terminal	42ALLOY (Pd-Au plating)

Stamp (Example)

SHARP : [S]  
GP2Y0A60SZ0F  
: F 60SZ  
W9 0 0 1  
Lot No.  
Month (1 to 9,0,N,D)  
(DIN standart symbol)  
Year (DIN standard symbol)  
DIN standard year production  
(It repeats itself by a period for 20 years  
except for G,I,0,Q,Y and Z.)

Years	Symbol
2008	W
2009	X
2010	A
2011	B
2012	C
2013	D
2014	E
2015	F
2016	G
2017	H
2018	I
2019	J
2020	K
2021	L
2022	M
2023	N
2024	O
2025	P
2026	Q
2027	R
2028	S
2029	T
2030	U

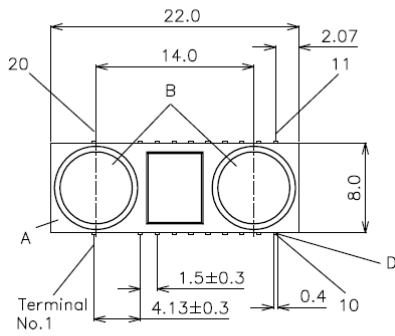
1. Unspecified tolerances shall be  $\pm 0.3$ mm.
- 2.( ):Reference Value
- 3.Dimension of terminal position is at the root of terminal.
- 4.Parallelism of terminal is 0.15.

No.	terminal name
1	cathode
2	NC
3	ILED FB
4	Vcc SHIFT
5	AR
6	Vcc
7	CTRL
8	CH1
9	NC
10	NC
11	REG
12	NC
13	CH2
14	GND
15	CINT
16	Vo
17	NC
18	ILED
19	NC
20	anode

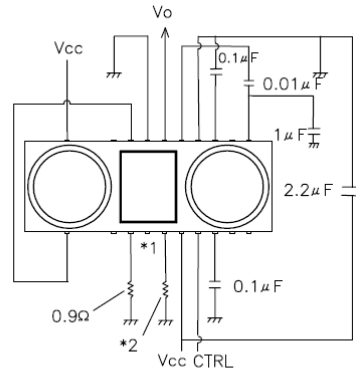
GP2Y0A60SZLF

(Drawing No.CY14591i02)

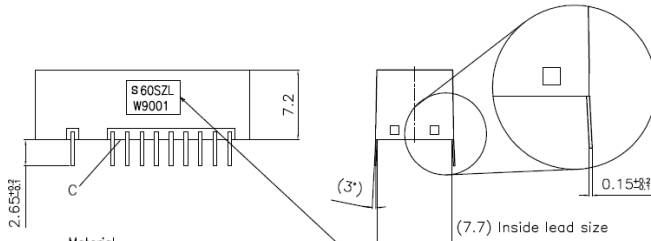
Scale : 2/1 Unit : mm



Connection diagram



- \*1) Above connection is the case of Vcc = 3V. In the case of Vcc=5V, terminal No.4 is connected to GND.
- \*2) The AR terminal connects 36kΩ.



Material	
A	Case Carbonic ABS (Color : Black)
B	Lens Acrylic acid resin (Visible light cut type)
C	Device coating PPS (Color : Black)
D	Lead pin 42ALLOY (Pd-Au plating)

Stamp (Example)  
 SHARP : [ S ]  
 S 60SZL GP 2Y 0A60SZLF  
 : F 60SZLF  
 W9 0 0 1  
 LOT No.  
 Month ( I t o 9, 0, N, D )  
 ( D I N Standard symbol )  
 Year ( D I N Standard symbol )  
 D I N Standard year production  
 ( Remove G, I, O, Q, Y, Z )  
 ( It repeats itself by a period for 20 years )

terminal No.	terminal Name
1	cathode
2	GND
3	I LEDFB
4	3V/5V switching
5	AR
6	Vcc
7	CTRL
8	CH1
9	NC
10	REG
11	REG
12	NC
13	CH2
14	GND
15	CINT
16	Vo
17	T
18	I LED
19	GND
20	anode

Year	Symbol
2008	W
2009	X
2010	A
2011	B
...	...
2025	T
2026	U

Terminals No.2, 14, 19 are connected in device. Thus GP2Y0A60SZLF operates by connection of arbitrary one terminal to GND.

Terminals No.10, 11 are connected in device. Thus GP2Y0A60SZLF operates by connection of either terminal.

(Note1) Unspecified tolerances shall be ±0.2mm.

(Note2) ( ) : Reference value

(Note3) lead terminal size is a root size of the lead.

## ■ Absolute maximum ratings

(Ta=25°C)

Parameter	Symbol	Ratings	Unit	Remark
Supply voltage	V <sub>CC</sub>	-0.3 to +5.5	V	-
Output terminal voltage	V <sub>O</sub>	-0.3 to V <sub>CC</sub> +0.3	V	-
Input terminal voltage 1	-	-0.3 to V <sub>REG</sub> +0.3	V	Terminal (NC,CH1,CH2,CINT,AR,T)
Input terminal voltage 2	-	-0.3 to V <sub>CC</sub> +0.3	V	Terminal (CTRL)
Operating temperature	Topr	-10 to +60	°C	-
Storage temperature	Tstg	-40 to +70	°C	-
Soldering temperature	Tsol	260	°C	5s or less/time up 2 times

## ■ Recommended operating conditions

Parameter	Symbol	Rating	Unit	Remark
Supply voltage	V <sub>CC</sub>	4.5 to 5.5	V	5V
Supply voltage	V <sub>CC</sub>	2.7 to 3.6	V	3V
High level input voltage	V <sub>CTRLH</sub>	2.3 to V <sub>CC</sub>	V	Operating
Low level input voltage	V <sub>CTRL</sub>	MAX 0.2	V	Stand-by state

## ■ Electro-optical Characteristics

(Ta=25°C, V<sub>CC</sub>=3V)

Parameter	Symbol	Conditions	MIN.	TYP.	MAX.	Unit
Measuring distance range	ΔL	(Note 1)	10	-	150	cm
Output terminal voltage	V <sub>O</sub>	L=150cm (Note 1)	0.05	0.35	0.65	V
Output voltage difference	ΔV <sub>O</sub>	Output change at L change (10cm → 150cm) (Note 1)	1.35	1.60	1.85	V
Average supply current	I <sub>CC1</sub>	V <sub>CC</sub> =3V, V <sub>CTRL</sub> =3V	-	33	50	mA
Stand-by supply current	I <sub>CC2</sub>	V <sub>CC</sub> =3V, V <sub>CTRL</sub> =0V	-	-	5	μA

(Ta=25°C, V<sub>CC</sub>=5V)

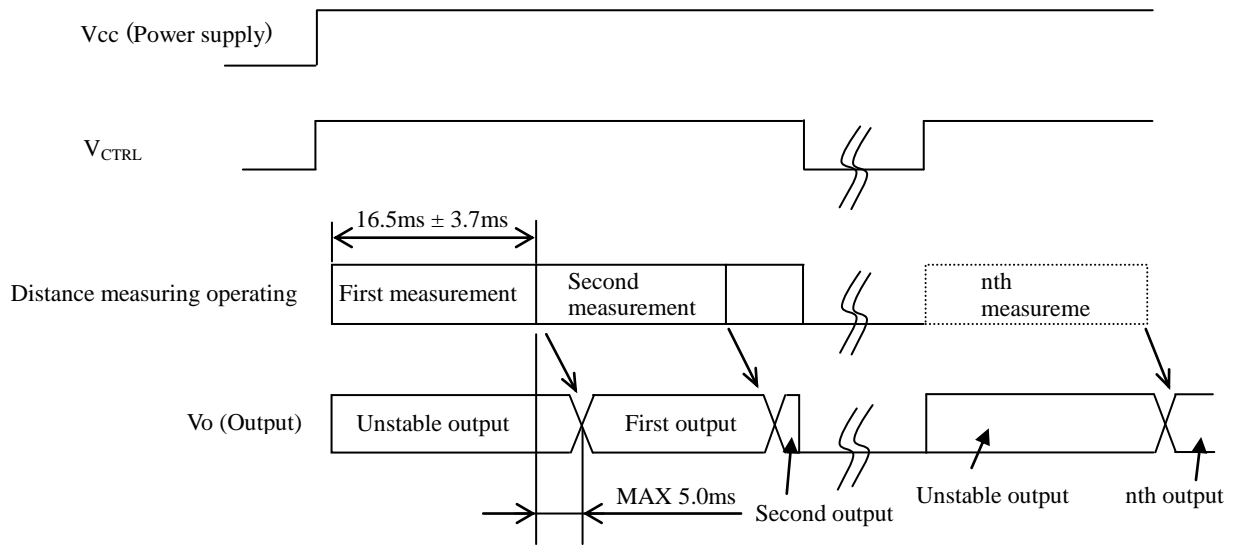
Parameter	Symbol	Conditions	MIN.	TYP.	MAX.	Unit
Measuring distance range	ΔL	(Note 1)	10	-	150	cm
Output terminal voltage	V <sub>O</sub>	L=150cm (Note 1)	0.15	0.65	1.15	V
Output voltage difference	ΔV <sub>O</sub>	Output change at L change (10cm → 150cm) (Note 1)	2.75	3.00	3.25	V
Average supply current	I <sub>CC1</sub>	V <sub>CC</sub> =5V, V <sub>CTRL</sub> =5V	-	33	50	mA
Stand-by supply current	I <sub>CC2</sub>	V <sub>CC</sub> =5V, V <sub>CTRL</sub> =0V	-	-	5	μA

※L : Distance to reflective object

(Note 1) Using reflective object : White paper

(Made by Kodak Co., Ltd. gray cards R-27 • white face, reflective ratio ; 90%)

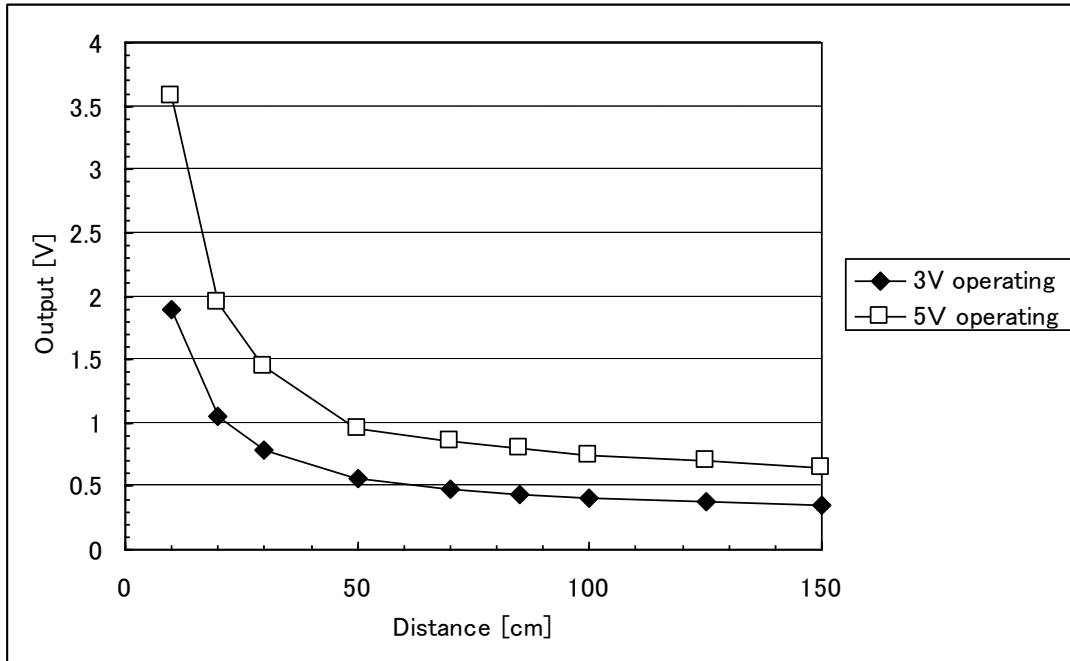
■ Timing Chart



■Supplements

- Example of output distance characteristics

White paper(Reflectance ratio 90%)



- This product shall not contain the following materials.  
Also, the following materials shall not be used in the production process for this product.  
Materials for ODS : CFCs, Halon, Carbon tetrachloride 1.1.1-Trichloroethane (Methyl chloroform)
- Product mass : Approx. 1.1g (TYP)
- This product does not contain the chemical materials regulated by RoHS directive.  
(Except for the NOT regulated by RoHS directive.)
- Compliance with each regulation
  - 1) The RoHS directive(2002/95/EC)  
This product complies with the RoHS directive(2002/95/EC) .  
Object substances: mercury, lead (except for lead in high melting temperature type solders and glass of electronic components), cadmium, hexavalent chromium, polybrominated biphenyls (PBB) and polybrominated diphenyl ethers (PBDE)
  - 2) Content of six substances specified in Management Methods for Control of Pollution Caused by Electronic Information Products Regulation (Chinese : 电子信息产品污染控制管理办法).

Category	Toxic and hazardous substances					
	Lead (Pb)	Mercury (Hg)	Cadmium (Cd)	Hexavalent chromium (Cr <sup>6+</sup> )	Polybrominated biphenyls (PBB)	Polybrominated diphenyl ethers (PBDE)
Distance measuring sensor	✓	✓	✓	✓	✓	✓

✓ : indicates that the content of the toxic and hazardous substance in all the homogeneous materials of the part is below the concentration limit requirement as described in SJ/T 11363-2006 standard .

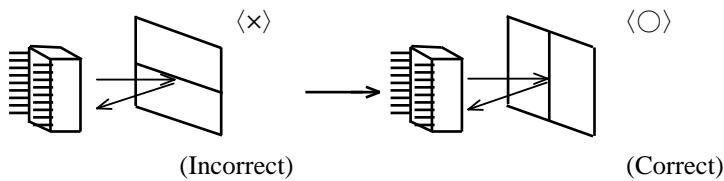
■Notes

[Advice for the optics]

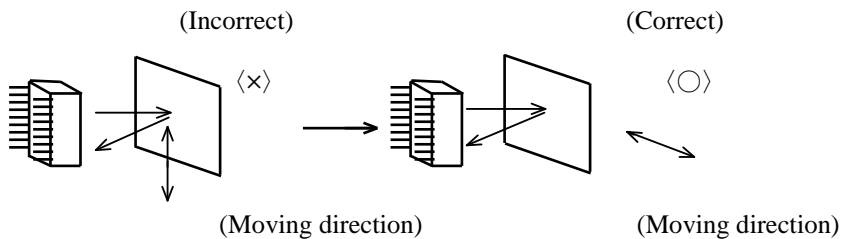
- Lens of this device shall be kept cleanly. There are cases that dust, water or oil and so on deteriorate the characteristics of this device. Please consider in actual application.
- In case that protection is set in front of the emitter and detector portion, the protection cover which has the most efficient transmittance at the emitting wavelength range of LED for this product ( $\lambda=870\text{nm}\pm 70\text{nm}$ ), shall be recommended to use. The face and back of protection cover should be mirror polishing. Also, as there are cases that the characteristics may not be satisfied with according to the distance between the protection cover and this product or the thickness of the protection cover, please use this product after confirming the operation sufficiently in actual application.

[Advice for the characteristics]

- In case that there is an object near to light exits of the sensor between the sensor and the detected object, please use this device after confirming sufficiently what the characteristics of this sensor do not change by the object.
- When the detector surface receive direct light from the sun, tungsten lamp and so on, there are cases that it can not measure the distance exactly. Please consider the design that the detector does not receive direct light from such light source.
- Distance between sensor and mirror reflector cannot be measured exactly.
- In case that reflective object has boundary line clearly, there is cases that distance can not measure exactly. At that time, if direction of boundary line and the line between emitter center and detector center are parallels, it is possible to decrease deviation of measuring distance.



- In order to decrease measuring error due to moving direction of object, we recommend to mount the sensor like below drawing.



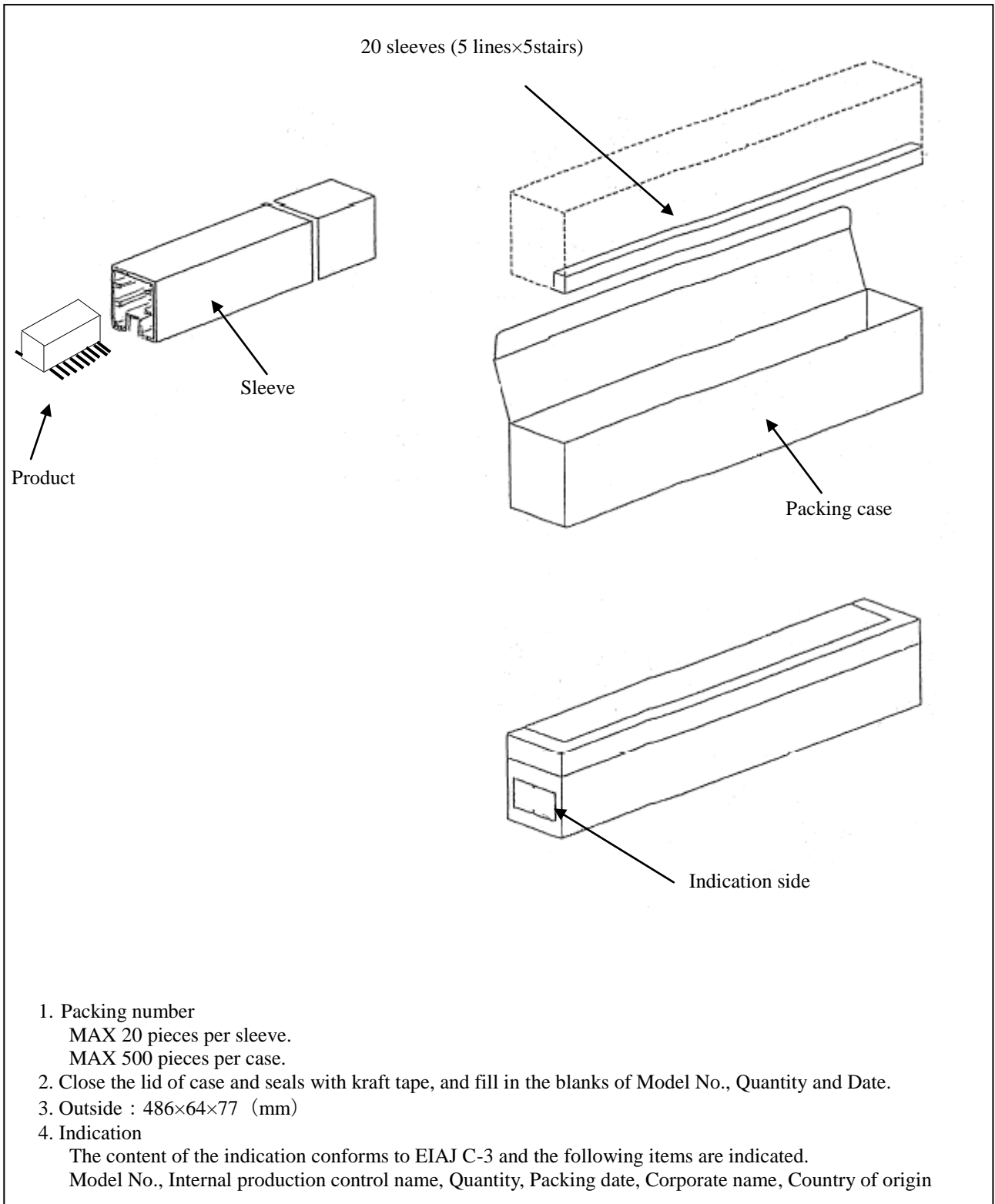
[Notes on handling]

- Please don't do washing. Washing may deteriorate the characteristics of optical system and so on. Please confirm resistance to chemicals under the actual usage since this product has not been designed against washing.
- Please solder under the condition below within 2 times.
  - below 260°C at the tip of soldering tool
  - less than 5 seconds

Please take care not to let any external force exert on lead pins when soldering.  
Please do not do soldering by reflow and flow-soldering.

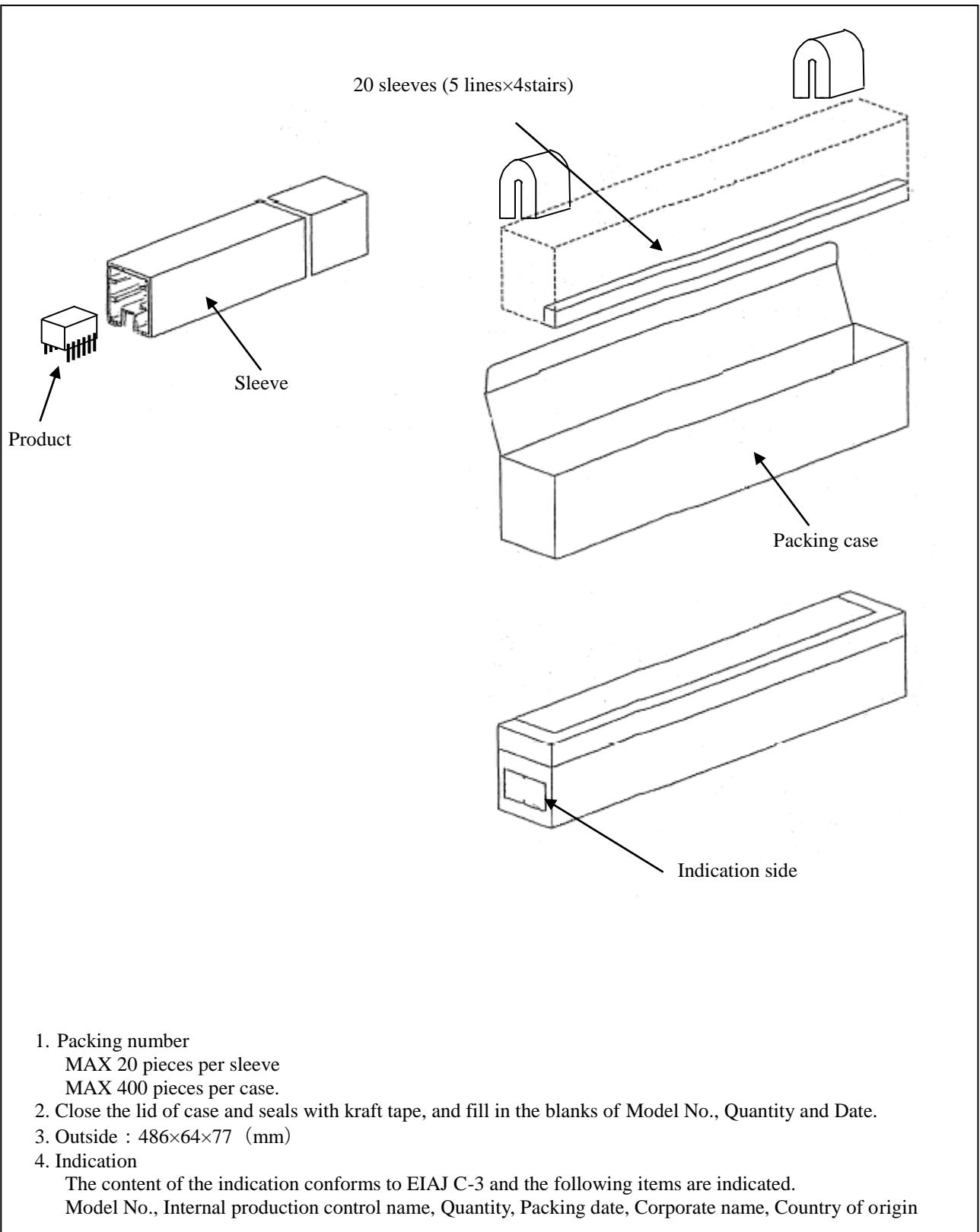
## ■ Packing specification

GP2Y0A60SZ0F





GP2Y0A60SZLF



## ■ Important Notices

· The circuit application examples in this publication are provided to explain representative applications of SHARP devices and are not intended to guarantee any circuit design or license any intellectual property rights. SHARP takes no responsibility for any problems related to any intellectual property right of a third party resulting from the use of SHARP's devices.

· Contact SHARP in order to obtain the latest device specification sheets before using any SHARP device. SHARP reserves the right to make changes in the specifications, characteristics, data, materials, structure, and other contents described herein at any time without notice in order to improve design or reliability. Manufacturing locations are also subject to change without notice.

· Observe the following points when using any devices in this publication. SHARP takes no responsibility for damage caused by improper use of the devices which does not meet the conditions and absolute maximum ratings to be used specified in the relevant specification sheet nor meet the following conditions:

(i) The devices in this publication are designed for use in general electronic equipment designs such as:

- Personal computers
- Office automation equipment
- Telecommunication equipment [terminal]
- Test and measurement equipment
- Industrial control
- Audio visual equipment
- Consumer electronics

(ii) Measures such as fail-safe function and redundant design should be taken to ensure reliability and safety when SHARP devices are used for or in connection

with equipment that requires higher reliability such as:

- Transportation control and safety equipment (i.e., aircraft, trains, automobiles, etc.)
- Traffic signals
- Gas leakage sensor breakers
- Alarm equipment
- Various safety devices, etc.

(iii) SHARP devices shall not be used for or in connection with equipment that requires an extremely high level of reliability and safety such as:

- Space applications
- Telecommunication equipment [trunk lines]
- Nuclear power control equipment
- Medical and other life support equipment (e.g., scuba).

· If the SHARP devices listed in this publication fall within the scope of strategic products described in the Foreign Exchange and Foreign Trade Law of Japan, it is necessary to obtain approval to export such SHARP devices.

· This publication is the proprietary product of SHARP and is copyrighted, with all rights reserved. Under the copyright laws, no part of this publication may be reproduced or transmitted in any form or by any means, electronic or mechanical, for any purpose, in whole or in part, without the express written permission of SHARP. Express written permission is also required before any use of this publication may be made by a third party.

· Contact and consult with a SHARP representative if there are any questions about the contents of this publication.