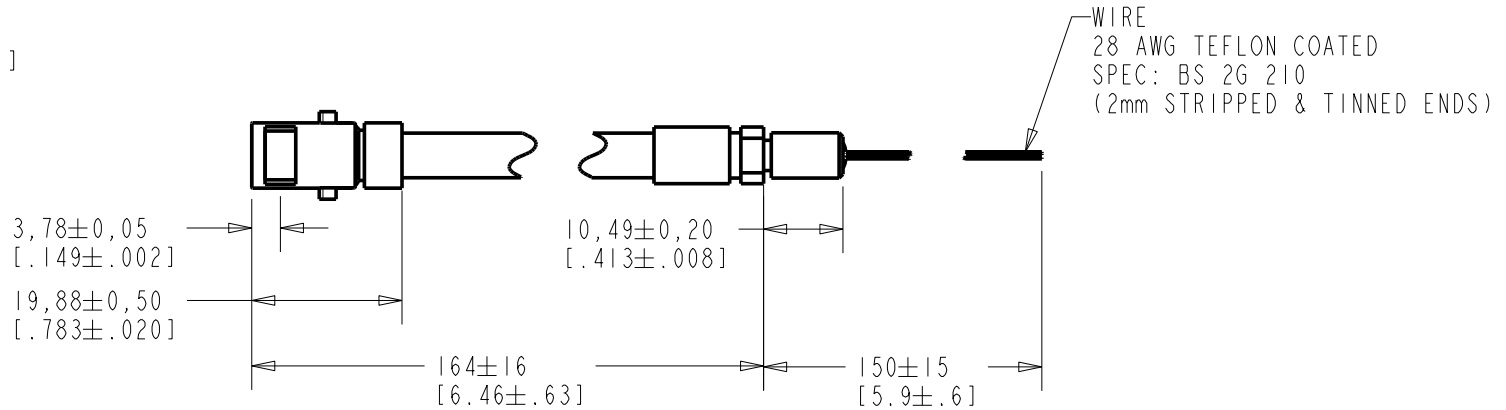
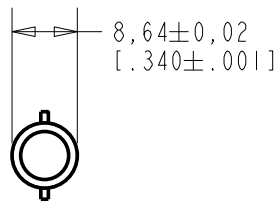
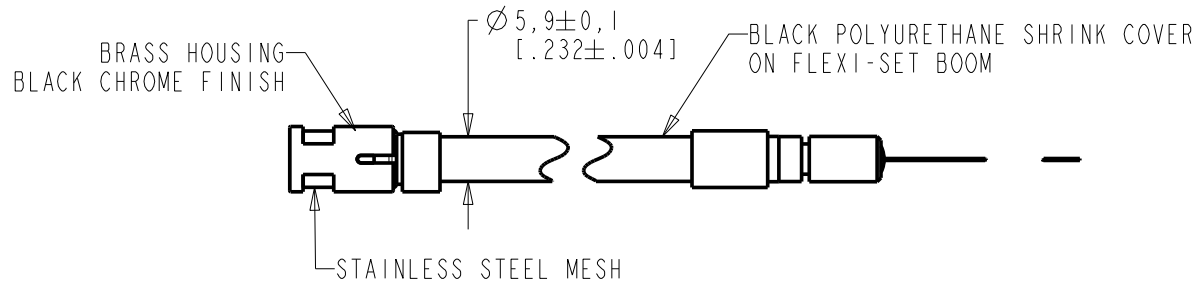


FB-F0-23225-000
SHT 1.1



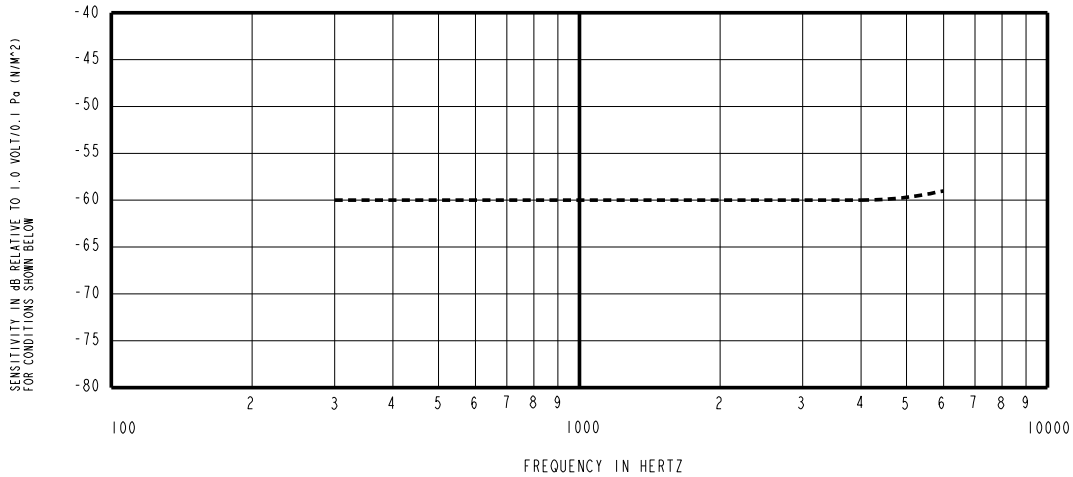
| WIRE COLOR | | | WEIGHT GRAMS |
|------------|-------|--------|--------------|
| +ve | -ve | SCREEN | |
| RED | BLACK | GREEN | 28.8 |

DIMENSIONS IN MILLIMETERS [INCHES]

| Revision | C.O. # | Implementation Date | RELEASE LEVEL | REVISION |
|----------|-----------|---------------------|---------------|----------|
| C | C10107748 | 8-12-08 | Active | C |
| B | C10106597 | 10-23-07 | | |
| A | M10101086 | 6-4-06 | | |

| | |
|---|---------------|
| SCALE: 1:1 | DR. BY: DATE |
| DO NOT SCALE DRAWING | MMM 6-1-06 |
| TITLE: BOOM MICROPHONE FB-F0-23225-000 | CK. BY: DATE |
| OUTLINE DRAWING | GJP 6-7-06 |
| SHT 1.1 | APP. BY: DATE |
| | GJP 6-7-06 |

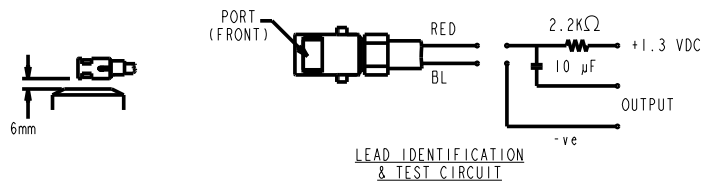
KNOWLES ELECTRONICS
ITASCA, ILLINOIS U.S.A.



NOTES:

- MICROPHONE TO BE FUNCTIONAL WITH 10 VDC SUPPLY.
- SENSITIVITY VALUES INDICATED ON THIS SPECIFICATION ARE VALID AT 50% HUMIDITY.
- SENSITIVITY

| FREQUENCY | MIN | NOM | MAX |
|-----------|-------|-------|-------|
| 300 | -64.0 | -60.0 | -56.0 |
| 1000 | -63.0 | -60.0 | -57.0 |
| 4000 | -64.0 | -60.0 | -56.0 |
- TEST CONDITIONS:
HEAD OF BOOM EXPOSED TO 94 dB SPL SWEPT SOUND FIELD AT 6mm FROM VOICE APERTURE.
ARTIFICIAL VOICE: B & K 4227 MOUTH SIMULATOR.
- FOR MICROPHONE CAPSULE SPEC. SEE NR-23160-000 SHEET 2.1



| Revision | C.O. # | Implementation Date | RELEASE LEVEL | REVISION |
|----------|-----------|---------------------|---------------|----------|
| C | C10107748 | 8-12-08 | Active | C |
| B | C10106597 | 10-23-07 | | |
| A | M10101086 | 6-4-06 | | |

KNOWLES ELECTRONICS
ITASCA, ILLINOIS U.S.A.

WHEN TEST LIMITS ARE USED TO ESTABLISH INCOMING INSPECTION ACCEPTANCE/REJECTION CRITERIA, CORRELATION OF TEST EQUIPMENT WITH KNOWLES IS ALSO REQUIRED FOR ELIMINATION OF EQUIPMENT AND TEST METHOD VARIATION

TITLE: **BOOM MICROPHONE** **FB-F0-23225-000**
PERFORMANCE SPECIFICATION **SHT 2.1**

| DR. BY | DATE |
|---------|--------|
| MMM | 6-1-06 |
| CK. BY | DATE |
| GJP | 6-7-06 |
| APP. BY | DATE |
| GJP | 6-7-06 |