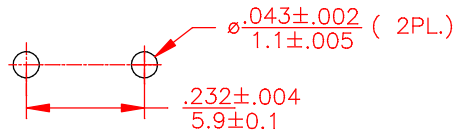
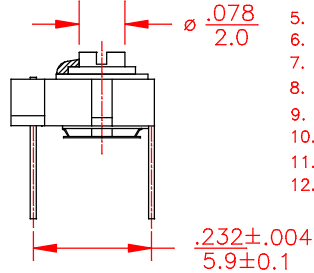
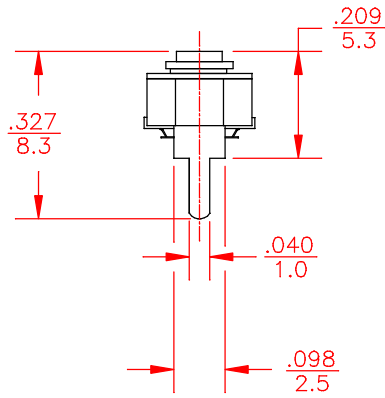
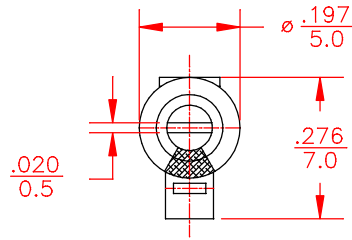


REV	DESCRIPTION	DATE	APP
00	NEW DRAWING	03/22/10	
01	.232±.004 5.9±0.1 WAS .197±.004 5.0±0.1	06/24/11	D.D.



MOUNTING HOLES LAYOUT

SPECIFICATIONS:

1. Capacitance : Cmin 4.0±50% pF
Cmax 10.0 $\frac{+100}{-0}$ % pF
2. Operating temperature range : - 55°C to + 85°C
3. TCC : N500 ± 300 ppm/°C
4. Q min at maximum rated capacitance : >300 at 10MHz
>200 at 100MHz
5. Working voltage @ 85°C: 250 VDC
6. Dielectric withstanding voltage: 400 VDC
7. Insulation resistance: 10¹⁴ Megohms min.
8. Torque : 35 to 200 g-cm (0.49 to 2.8 oz-in)
9. Thermal resistance: 5 sec. @ 260°C $\frac{+50}{-0.0}$ %
10. Vibration: 50 g @ 10-2000 Hz
11. Capacitance drift: 5 % or 1.5 pF whichever is greater 10 pF
12. Dimensions in in/mm

TOLERANCES: (EXCEPT AS NOTED)				SPRAGUE GOODMAN ELECTRONICS INC. 1700 SHAMES DRIVE WESTBURY, NY 11590			
DECIMAL: ±0.002 in ±0.051 mm		MATERIAL:		SCALE: 4:1		DRAWN BY: R. LEVIN APPROVED: D. DITLYA	
FRACTIONAL: 1/64		TITLE: OUTLINE DWG P/N GKU10020				USED FOR:	
ANGULAR: 1°		DATE: 03/22/10		DRAWING NUMBER GKU10020		REV. 01	