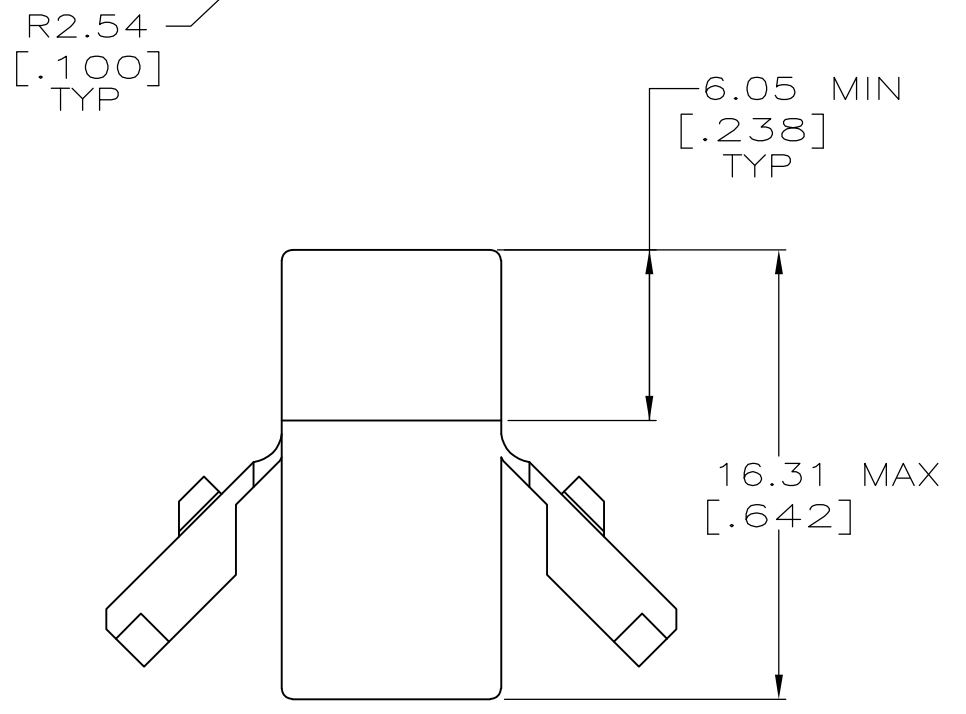
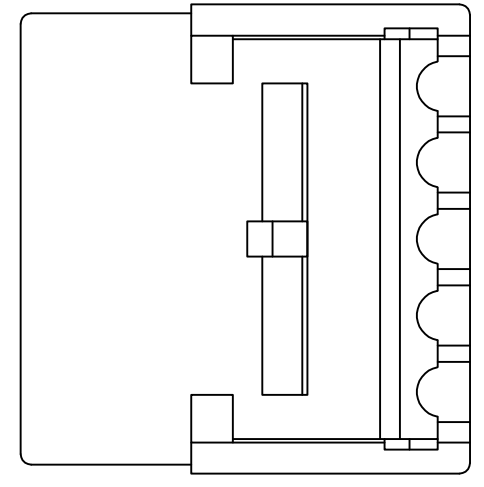
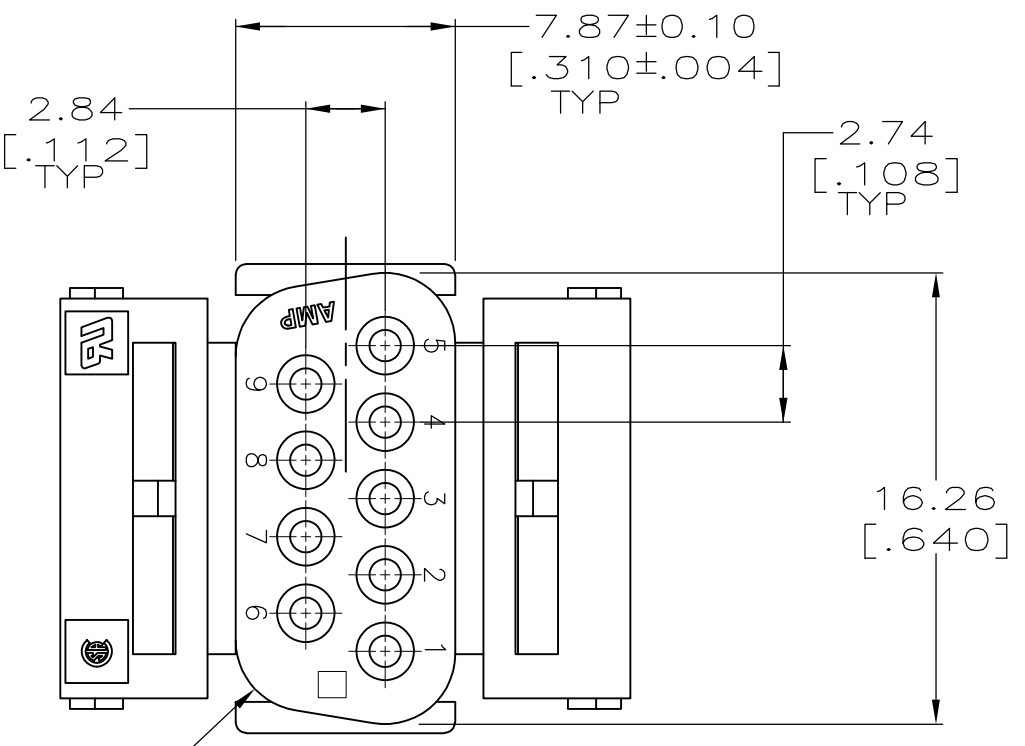


LOC	DIST	REVISIONS					
BD	48	P	LTR	DESCRIPTION	DATE	DWN	APVD
			B1	REVISED PER ECO-11-004835	11MAR11	RK	HMR

D  
C  
B  
A



207752-3  
PART NUMBER

THIS DRAWING IS A CONTROLLED DOCUMENT.		DWN C.OBERMAN	02 MAR 98				
DIMENSIONS: MM[INCHES]		CHK R.STONE	30 APR 98				
		APVD R.TAYLOR	30 APR 98				
		TOLERANCES UNLESS OTHERWISE SPECIFIED:					
MATERIAL THERMOPLASTIC, BLACK		FINISH -		NAME RECEPTACLE HOUSING, 9 POSITION, AMPLIMITE™			
		0 PLC ± - 1 PLC ± - 2 PLC ± 0.13 [.005] 3 PLC ± - 4 PLC ± - ANGLES ± -		PRODUCT SPEC - APPLICATION SPEC - WEIGHT -			
		CUSTOMER DRAWING		SIZE A3	CAGE CODE 00779	DRAWING NO C-207752	RESTRICTED TO -
				SCALE 4:1	SHEET 1 of 1	REV B1	