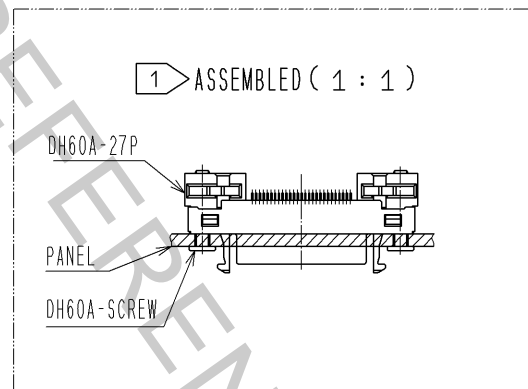


NOTE 1 THIS PRODUCT IS ASSEMBLED TO A 'DH60A-\*\*P'  
 THE APPLICABLE PANEL THICKNESS IS MAX 1.6mm  
 2 THIS PRODUCT IS PACKED IN A BAG. (QUANTITY IN A BAG :200pcs.)



1	STEEL	NICKEL						
NO.	MATERIAL	FINISH	REMARKS	NO.	MATERIAL	FINISH	REMARKS	
UNITS mm		SCALE 4 : 1	COUNT 	DESCRIPTION OF REVISIONS		DESIGNED	CHECKED	DATE
HIROSE ELECTRIC CO., LTD.		APPROVED : AO. SUZUKI	10.02.02	DRAWING NO.		EDC4-126867-00		
		CHECKED : KN. ICHIKAWA	10.02.01	PART NO.		DH60A-SCREW		
		DESIGNED : TU. TANIGUCHI	10.02.01	CODE NO.		CL244-0042-1-00		
		DRAWN : TU. TANIGUCHI	10.02.01			1/1		