

PLEASE CHECK WWW.MOLEX.COM FOR LATEST PART INFORMATION

Part Number: [62203-0390](#)
Status: **Active**
Description: Multi-Port Connector Extraction Tool

Documents:
[RoHS Certificate of Compliance \(PDF\)](#)

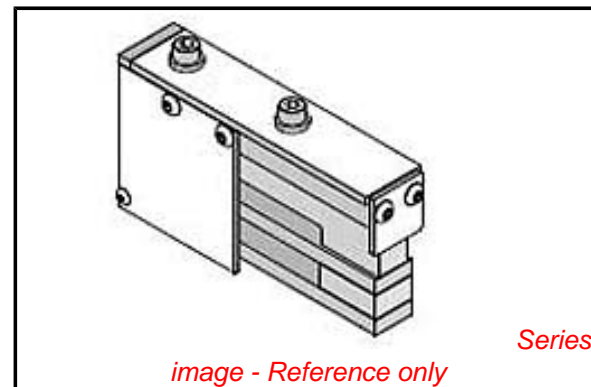
General

Product Family	Application Tooling
Series	T3002
Comments	See Tooling Specification (PDF) Above
Function	Extraction
Geographic Area	Global
Level of Automation	Manual
More Detailed Tech Information	applicationtooling@molex.com
Product Name	N/A
Survey	www.molex.com//review/apptool_survey.html
Tool Type	Handtool
UPC	884982470767

Material Info

Reference - Drawing Numbers

Application Tooling Documents	ATS-622030390
-------------------------------	---------------



EU RoHS

**ELV and RoHS
Compliant**
REACH SVHC
 Not Reviewed
Low-Halogen Status
 Not Reviewed

China RoHS



Need more information on product environmental compliance?

Email productcompliance@molex.com
 For a multiple part number RoHS Certificate of Compliance, [click here](#)

Please visit the [Contact Us](#) section for any non-product compliance questions.

Search Parts in this Series

T3002Series

Use With

76871 Quad Small Form-factor Pluggable Plus (QSFP+) Cage Assembly, 2 Press Fit Rear Legs, Elastomeric Gasket for SAN Applications

Application Tooling | **FAQ**

Description	Product #
Quad Small Form-factor Pluggable Plus (QSFP) Assembly, Stacked 2 by 1 with Elastomer Gaskets, Tin	0768710005
Quad Small Form-factor Pluggable Plus (QSFP) Assembly, Stacked 2 by 1 with Elastomer Gaskets and Light Pipes, Tin	0768710006
Quad Small Form-factor Pluggable Plus	0768710008

(QSFP) Assembly,
Stacked 2 by 1 with
Elastomer Gaskets
and Outer Light
Pipes - Up/Down,
Light Pipes, Tin

This document was generated on 03/08/2013

PLEASE CHECK WWW.MOLEX.COM FOR LATEST PART INFORMATION