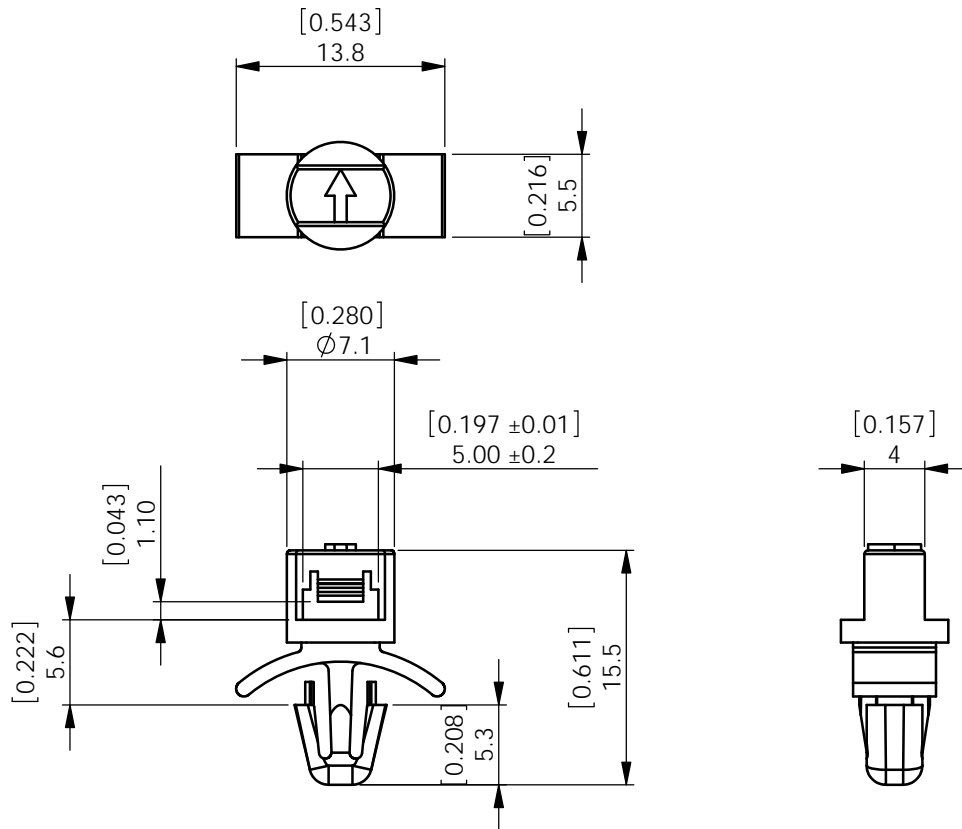


REV	MODIFICATION	DATE	DRN
01	PRODUCTION RELEASED	21/08/08	I.C
02	CO2010391	15/09/08	S.F
03	CO2010467	10/11/08	S.F
04	CO2010524	06/01/09	S.F
05	CO2011056	16/02/11	S.F



ALTERNATE UNITS FOR REFERENCE ONLY

INFORMATION CONTAINED IN THIS DOCUMENT IS CONFIDENTIAL TO RICHCO INTERNATIONAL Co. Ltd. AND MAY NOT BE DISCLOSED OR REPRODUCED IN WHOLE OR PART WITHOUT THEIR WRITTEN CONSENT.

<b>RICHCO, INC.</b> WWW.RICHCO-INC.COM	ALL DIMENSIONS IN mm GENERAL TOLERANCES $\pm 0.25$ UNLESS OTHERWISE STATED 1 DECIMAL PLACE $\pm 0.25$ 2 DECIMAL PLACES $\pm 0.10$ ANGULAR $\pm 1^\circ$	THIRD ANGLE 

MATERIAL: UL94 V-2 NYLON 6/6, RMS-01* COLOUR: NATURAL			
PART No.	HOLE $\phi$	PANEL THICKNESS	CABLE TIE ACCEPTED
FTH-30-1-01	4.76[0.187] $\pm 0.08$	0.8[0.031] - 2[.078]	RG-211/311, -212/312, -213/313, -215/315, -216/316, -217/317, -218/318, -219/319, -220/320
*AVAILABLE IN UL94 V-0 BY SPECIAL ORDER. TO ORDER REPLACE -01 WITH -19.			

MATERIAL: NYLON 6/6 UL94 V2 (RMS-01)		COLOUR: NATURAL	
DESCRIPTION: FLAT TIE HOLDER		PART No: FTH-30-1-01	
DRG No: 08-033	NPR No: FN08-0007	Mass:(g) 0.4	SHEET SIZE A4
DRN I.C	DATE 02/05/08	CHKD S.F.	DATE 15/09/08
SCALE 2:1		SHEET No. 1 OF 1	